

Project:
Type:
Catalog #:
Prepared by:
Date:
Notes:

Specification Features

Construction

The **pole shaft** is a 1-piece assembly conforming to ASTM A595 Grade A or A572 Grade 55 with a constant linear taper of 0.11 in/ft. **Pole Top** - Pole is provided with either a tenon top or drilled for a fixture mounting. A removable pole cap is provided for drilled poles. Consult the luminaire manufacturer for correct tenon size or drill pattern. Other pole top options include pole cap only (PC) or plain top (PL) which is typical when the pole top diameter matches the necessary slip fit dimensions. A reinforced **handhole** with grounding provision is provided at 1'-6" from the base end of the pole assembly. Each handhole includes a cover and the cover attachment hardware. Poles with a 5.90" base diameter are supplied with a 3" x 5" rectangular handhole. All other pole assemblies are provided with a 4" x 6.5" ovalized handhole. Handhole dimensions are nominal. A two-piece full **base cover** fabricated from ABS plastic is provided with each pole assembly. EYE Lighting reserves the right to provide a two-piece steel full base cover on some applications depending upon the finish requirement and/or pole base diameter. Nut covers can be substituted on most models.

Mounting

Anchor bolts conform to ASTM F1554 Grade 55 and are provided with two hex nuts and two flat washers. Bolts have an "L" bend on one end and are galvanized a minimum of 12-inch on the threaded end. All structural **fasteners** are galvanized high strength carbon steel. All non-structural fasteners are galvanized or zinc-plated carbon steel or stainless steel.

Finish

Standard finishes are Galvanized (GV) or Finish Painted (FP). See the product ordering code for color options.

Warranty

1-year Limited LED Pole Warranty to the original purchaser that the pole shall be free from defects in material and workmanship for up to one (1) years from date of shipment.

Order Guide

SAMPLE NUMBER: TSQS-2011525-P2-DB-FBC-AB

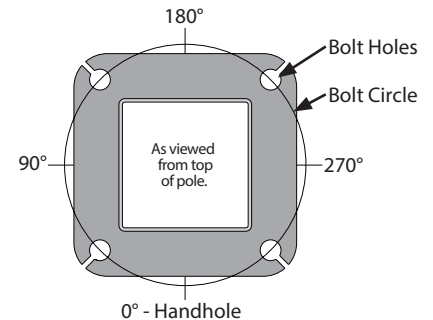
FAMILY	PART NUMBER	MOUNTING	FINISH	BASE COVER	ANCHOR BOLTS
TSQS				FBC	
TSQS	# = See Pole Data Chart Below	DRILLING (SEE ORIENTATION) D1 = (1) Luminaire D2 = (2) @ 180° D4 = (4) @ 90° D5 = (2) @ 90° D6 = (3) @ 90° TENON MOUNTING P2 = 2.38" OD x 4" tenon P4 = 4.00" OD x 6" tenon P5 = 2.88" OD x 4" tenon P6 = 2.88" OD x 5" tenon P7 = 2.38" OD x 5" tenon OTHER OPTIONS PC = Pole Cap PL = Plain Top (No Cap)	GV = Galvanized DB = Dark Bronze BK = Black WH = White SL = Silver	FBC = Full Base Cover	AB = with Anchor Bolts LAB = without Anchor Bolts

Pole Data - Tapered Square Steel

Part Number	POLE DIMENSIONS					WIND LOADING INFORMATION					
	Nominal Mounting Height	Wall THK (GA)	Structure Weight (lbs)	Shaft Base Square (in)	Shaft Top Square (in)	80 MPH w/1.3 GUST		90 MPH w/1.3 GUST		100 MPH w/1.3 GUST	
						Max EPA1 (sqft)	Max Weight (lbs)	Max EPA1 (sqft)	Max Weight (lbs)	Max EPA1 (sqft)	Max Weight (lbs)
2011525	20'-0"	11	155	5.25	3.05	18.0	452	13.8	345	10.7	268
2007550	20'-0"	7	235	5.50	3.30	30.5	764	24.0	602	19.0	477
2511600	25'-0"	11	205	6.00	3.25	16.8	422	12.6	315	9.5	238
2507641	25'-0"	7	310	6.41	3.66	28.5	713	22.5	563	18.2	455
3011641	30'-0"	11	260	6.41	3.11	13.6	340	9.8	245	7.0	175
3007641	30'-0"	7	375	6.41	3.11	23.6	590	17.9	448	13.7	343
3007713	30'-0"	7	431	7.13	3.83	27.4	687	21.6	542	17.3	434
3511681	35'-0"	11	305	6.81	2.96	10.7	269	7.3	184	4.8	120
3507713	35'-0"	7	475	7.13	3.28	23.4	585	17.4	435	13.0	325
3507788	35'-0"	7	540	7.88	4.03	25.7	643	18.8	470	13.8	345
3911718	39'-0"	11	345	7.18	2.92	8.6	215	5.4	135	3.0	75
3907713	39'-0"	7	500	7.13	2.87	19.3	483	14.2	355	10.4	260
3907875	39'-0"	7	670	8.75	4.49	26.1	654	20.6	517	16.2	405
4507788	45'-0"	7	620	7.88	2.93	16.0	400	11.1	278	7.4	187
4507875	45'-0"	7	730	8.75	3.80	23.5	588	16.6	415	11.4	287
5007881	50'-0"	7	780	8.81	3.31	19.4	485	13.2	332	8.7	218

Anchorage Data

POLE		BASE PLATE				ANCHOR BOLTS		
Pole Base Square	Wall THK (GA)	Bolt Circle		Square (in)	THK (in)	DIA x Length x Hook (in)	Projection (in)	+/- (in)
		DIA (in)	+/- (in)					
5.25	11	10.75	N/A	10.75	0.750	1.00 x 36.00 x 4.00	4.00	0.25
5.50	7	11.00	N/A	11.00	1.000	1.00 x 36.00 x 4.00	4.25	0.25
6.00	11	12.00	N/A	11.50	0.875	1.00 x 36.00 x 4.00	4.13	0.25
6.41	11	12.50	N/A	11.88	0.875	1.00 x 36.00 x 4.00	4.13	0.25
6.41	7	12.50	N/A	11.88	1.250	1.00 x 36.00 x 4.00	4.50	0.25
6.81	11	13.00	N/A	12.25	0.875	1.00 x 36.00 x 4.00	4.13	0.25
7.13	7	13.50	N/A	12.63	1.250	1.00 x 36.00 x 4.00	4.50	0.25
7.18	11	13.50	N/A	12.63	0.875	1.00 x 36.00 x 4.00	4.13	0.25
7.88	7	14.50	N/A	13.38	1.250	1.00 x 36.00 x 4.00	4.50	0.25
8.75	7	15.75	N/A	14.25	1.500	1.25 x 42.00 x 6.00	5.25	0.25
8.81	7	16.00	N/A	15.50	1.250	1.25 x 42.00 x 6.00	5.00	0.25



EYE Lighting International of North America, Inc.

a division of Iwasaki Electric of Japan

9150 Hendricks Road
Mentor, Ohio 44060

Tel: (888) 665-2678
Fax: (440) 350-7001

Product specifications subject to change or product may be discontinued without notice. Data shown is typical and based on laboratory conditions. Actual performance in specific applications may vary.

www.eyelighting.com