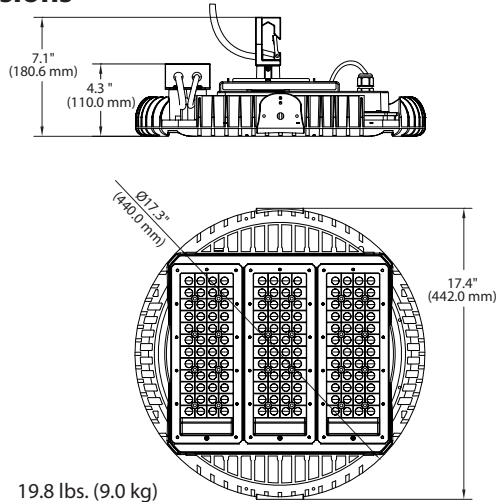


Dimensions



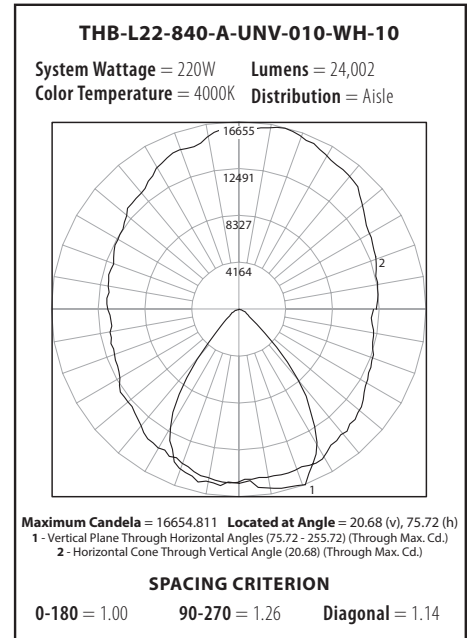
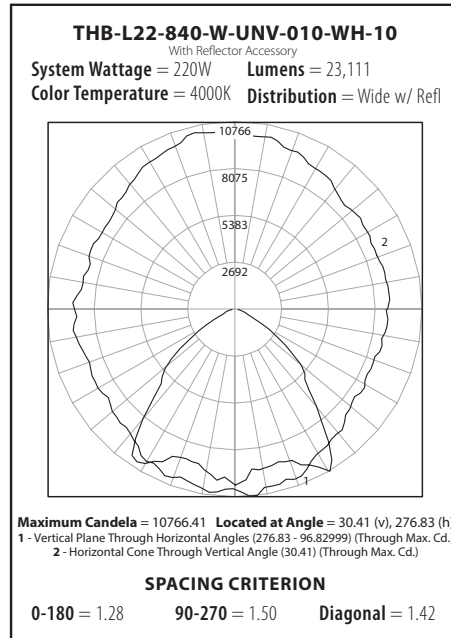
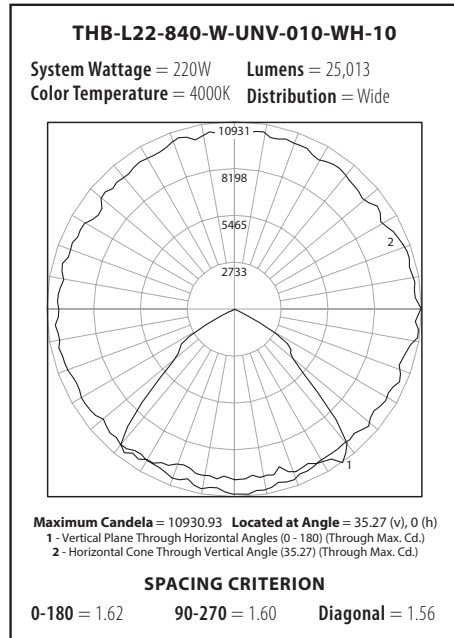
Weight 19.8 lbs. (9.0 kg)

Performance Data

Wattage Summary

Model	LED Qty.	Drive Current	Luminaire Wattage	Minimum Lumens	CCT	CRI	Lumen Maintenance (L70 At 25°C)	Lumen Maintenance (L70 At 40°C)
L22	288	110 mA	215	24,000	4000K	80	>200,000 hrs.	>200,000 hrs..
L22	288	110 mA	215	25,000	5000K	80	>200,000 hrs..	>200,000 hrs.

Photometric Data



- Results may vary from test due to power, ambient conditions and individual component performance variations.
- Data is provided to estimate typical performance.
- Engineering estimates and data are based on initial absolute lumens.
- Lumen output may vary 10% due to LED manufacturer flux specification.

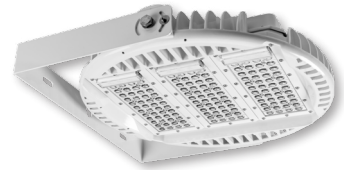
- Predicted performance calculated from LED manufacturer data and engineering estimates based on test methodologies of IESNA LM-80, LM-79 and TM-21.
- L70 Hours is the predicted time when LED performance depreciates to 70% of initial lumen output.
- EYE Lighting reserves the right to change materials or modify the design of its product without notification.

- Consult factory for lead time and availability.
- Other modes of failure could occur after the 60,000 hour period
- Reference photometric data sheet for lumen levels based on color temperature and distribution type

Accessories (Ordered separately, field installed)

THB-WALLBRACKET

Painted steel bracket for wall mount applications. Pictured on luminaire. Mounting hardware included.



THB-REFRACTOR

Acrylic reflector for glare control. Pictured on luminaire. Mounting hardware included.



THB-PENDANTBOX

Painted aluminum wiring enclosure for pendant mount applications. Mounting hardware included. Images and availability late 2016.