



172W  
4 COB

197W  
3 COB

### Applications Include

Parking Area, Security, Outdoor Industrial, Building Facade and Landscape Lighting.

### Specification Features

The PF Series heavy duty floodlight represents advanced LED COB technology known for exceptional thermal conductivity in a compact efficient design. This slim profile belies the powerful and bright high lumen output generated from the very efficient COBs that exhibit both reduced lumen degradation with increased lifespan. The 172W and 197W models are ideal for new construction lighting projects or replacements for 250W or 400W metal halide outdoor luminaires in retrofit lighting upgrades. Optional 3-pin NEMA receptacles allow for additional energy savings with dusk to dawn operation.

### Construction

The rugged die cast aluminum housing has integrated cooling fins at the back of the LED compartment for optimized heat dissipation. Its undersized but dense frame and body provides outstanding thermal management performance, allowing LEDs to operate at cool temperatures and deliver long-term reliable service.

### Mounting

Two mount options offer installation versatility. The sturdy aluminum yoke bracket is designed with calibration for precise aiming at 180° arc. Similarly the slipfitter mount allows 180° arc mounted on 2 3/8 in. diameter round pole.

### Optics

A sturdy convex clear glass lens seals the advanced LED COB from harsh elements and while delivering powerful illumination in a wide beam distribution pattern.

### Electrical

A constant current driver accepts 120 to 277V input at 50/60hz and has an operating temperature range of -30° C to +40° C. The option for 347/480V models is available through step down transformers. A three (3) foot, 3-wire power cord passes through a water-tight connector in the bottom of the housing to facilitate wiring into a junction box or other source.

### Finish

The polyester powdercoat provides long lasting color and durable protection. Available in a dark bronze finish high quality coating process seals and protects the die-cast housing surface to resist fading and corrosion from salt, humidity, and UV exposure.

### Warranty

A 5-year Limited LED Luminaire Warranty is granted to the original purchaser. This warranty states that the luminaire shall be free from defects in material and workmanship for up to five (5) years from date of shipment. This limited warranty covers the fixture, LED driver and LEDs when installed and operated according to manufacturer's instructions. See EYE Lighting's full Warranty and Terms & Condition of Sale at [www.eyelighting.com](http://www.eyelighting.com).

### Listings and Ratings

UL listed IP 65. The wallpacks are tested to IESNA LM-79-08 and LM-80 test standards at 25° C ambient. IES files are available at [www.eyelighting.com](http://www.eyelighting.com).



\* Check the latest update at [www.DesignLights.org](http://www.DesignLights.org) for listed product catalog numbers. Not all versions are listed.

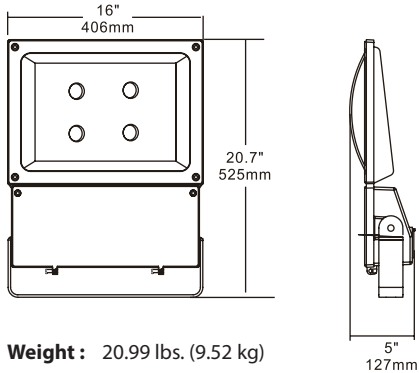
### Order Guide

SAMPLE NUMBER : PFY-L17-740-W-UNV-N-DB-V

FAMILY	MOUNT	LUMENS	CRI	CCT	DISTRIBUTION	VOLTAGE	DIMMING	FINISH	PHOTOCELL	OPTIONS
PF			7		W			DB		
PF	Y = Yoke S = Slipfitter	L17 = 17,100 LM @ 172W L24 = 24,000 LM @ 197W	7 = 70	40 = 4000K 50 = 5000K	W = Wide	UNV = 120-277V  UNH = 347/480V	N = Non Dimming  D = 0-10VDim	DB = Dark Bronze	R3 = 3-pin Receptacle  V = No PC	S = Surge Protector

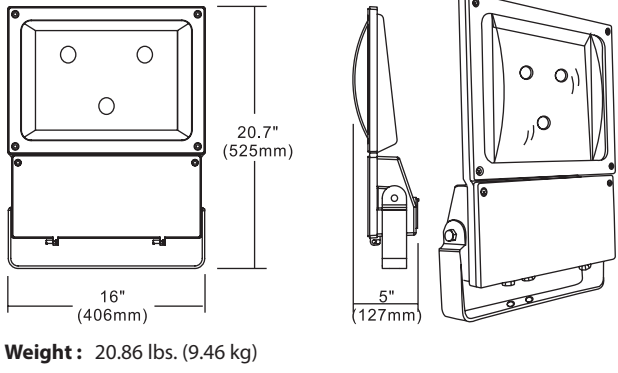
**Dimensions**

**172W**



**Weight:** 20.99 lbs. (9.52 kg)  
**EPA:** 2.76 ft<sup>2</sup> (front), 0.88 ft<sup>2</sup> (side)

**197W**



**Weight:** 20.86 lbs. (9.46 kg)  
**EPA:** 2.76 ft<sup>2</sup> (front), 0.88 ft<sup>2</sup> (side)

**Performance Data**

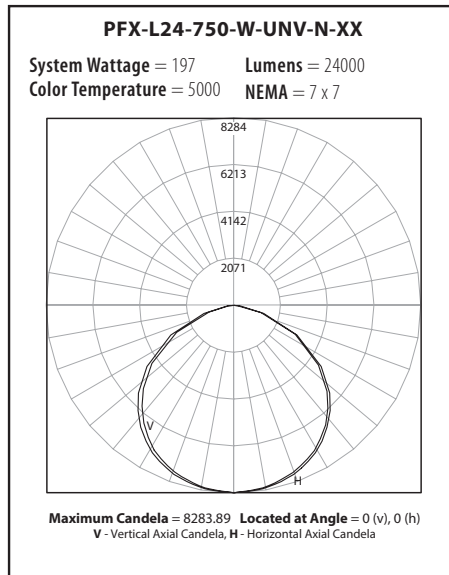
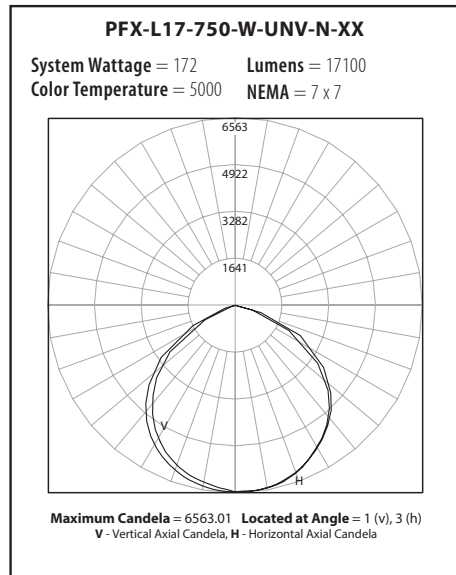
**Wattage Summary**

Model	LED COB	Drive Current	Average Lumens	CCT	CRI	Lumen Maintenance (L70 At 25°C)
172W	4	1100mA	17,100	5000K	70	>100,000
197W	3	1150mA	24,000	5000K	70	>100,000

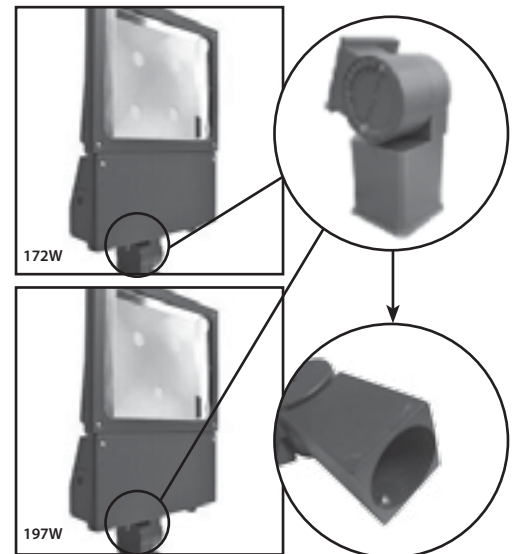
**Ambient Data**

Ambient Temperature	Lumen Multiplier
15°C	1.02
25°C	1.00
40°C	0.98

**Photometric Data**



**PFS Slipfitter Fits 2 3/8" O.D. Round Pole**



- Results may vary from test due to power, ambient conditions and individual component performance variations.
- Data is provided to estimate typical performance.
- Engineering estimates and data are based on initial absolute lumens.
- Lumen output may vary 10% due to LED manufacturer flux specification.

- Predicted performance calculated from LED manufacturer data and engineering estimates based on test methodologies of IESNA LM-80, LM-79 and TM-21.
- L70 Hours is the predicted time when LED performance depreciates to 70% of initial lumen output.
- EYE Lighting reserves the right to change materials or modify the design of its product without notification.

- Consult factory for lead time and availability.
- Other modes of failure could occur after the 60,000 hour period
- Reference photometric data sheet for lumen levels based on color temperature and distribution type

**EYE Lighting International of North America, Inc.**  
a division of Iwasaki Electric of Japan

9150 Hendricks Road  
Mentor, Ohio 44060

Tel: (888) 665-2677  
Fax: (440) 350-7001

[www.eyelighting.com](http://www.eyelighting.com)