



## INSTALLATION INSTRUCTIONS

**IMPORTANT SAFETY INSTRUCTIONS:** This equipment is intended to be installed by qualified personnel. The installation must be made in accordance with the current edition of the National Electric Code, and all applicable state and local building codes. The final installation must be approved by the appropriate, qualified, electrical/building inspector(s). Improper Installation may result in a risk of fire or electrical shock hazard. The instructions provided herein are made available for reference when installing the HBL High Bay LED Luminaire. If any portion of these installation instructions is unclear then do not proceed with the installation and contact an EYE Lighting Representative at **1-888-665-2677**.

Catalog No.	Input Voltage AC	Frequency	Wattage	Input Current	Weight
HBL-20L-408-W-UNV-WH-XX-XXXX	120-277 V AC	50 / 60 Hz	215 W	1.9 A Max	7.1kg (15.7 lbs.)

### READ AND FOLLOW ALL SAFETY INSTRUCTIONS BEFORE STARTING INSTALLATION

**\*RETAIN A COPY OF THESE INSTRUCTIONS\***

#### WARNINGS AND CAUTIONS:

- **CAUTION – RISK OF SHOCK – DISCONNECT POWER BEFORE INSTALLATION OR SERVICING**
- Installation and servicing shall be to all National, State, and Local Requirements at the time of installation, and must be performed by qualified personnel, using proper safety precautions. For safety, two or more people are recommended to perform installation.
- Wear proper safety equipment, glasses, and gloves, when installing or servicing luminaire.
- Failure to provide proper luminaire grounding may result in serious personal injury.
- Do not use in wet environment, or where humidity exceeds 85%.
- Suitable for operation in ambient temperatures ranging from -20°C to 50°C (60° may be acceptable for short durations).
- Do not use the luminaire to support ones weight. Do not hang onto luminaire.
- Mounting surface must be specified to properly support the weight of the luminaire
- Improper installation and/or utilization may void manufacturer’s warranty. Do not detach the front cover. Tampering may void warranty.
- Use secondary safety chain or cable, as needed, when securing HBL.
- Allow sufficient cool down time prior to handling and/or servicing floodlight.
- **SUITABLE FOR MOUNTING WITHIN 1.2 m (4 ft) OF THE GROUND**



**DO NOT OPERATE  
IF CRACKED OR BROKEN**

**Tools required:** Installation is completed using ordinary tools including:

- Pipe wrench
- Crescent wrench
- Wire Strippers / cutters
- #2 Phillips Screwdriver
- 5/16” Nutdriver

Loctite®51604, locking nut/ washer, or other pipe adhesive may be used to help secure the mounting hardware.

**EYE Lighting International of North America, Inc.**  
*a division of Iwasaki Electric of Japan*

9150 Hendricks Road  
Mentor, Ohio 44060

Tel: (440) 350-7000  
Fax: (440) 350-7001

www.eyelighting.com  
EQS3517 Rev: 1 06/2015



# HBL Series High Bay LED Luminaire

(Not Provided)

## Before Installation:

- REMOVE from box and plastic bag. (follow local recycling codes)
- Inspect luminaire for defects prior to installation. If defects are noticed, do not install. Contact the EYE Lighting representative at 1-888-665-2677.

### NOTE:

The HBL Luminaire is equipped for two types of mounting options:

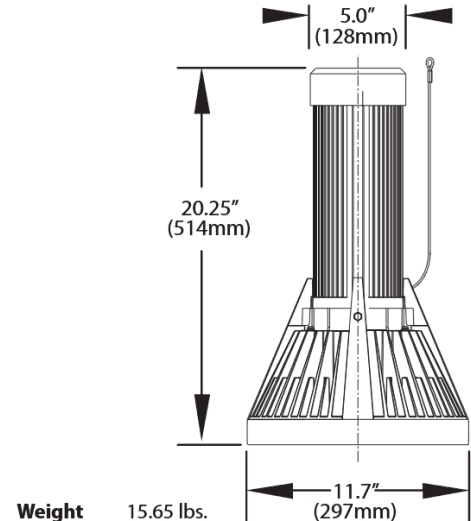
#### **Pendant (Downrod) Mounting Option**

The Pendant is not included and must be supplied by others.

#### **Power Hook Mounting Option**

The Power Hook can be ordered separately.

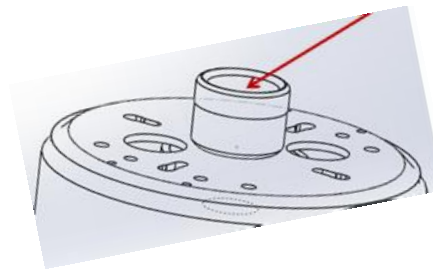
### Dimensions



## Installing Luminaire:

### POWERHOOK MOUNT OPTION:

1. Insert the Power Hook into the threaded hole on the top of the HBL LED Luminaire and tighten securely. Loctite®51604, locking nut/ washer, or other pipe adhesives may be used to help secure the joint. (not provided)

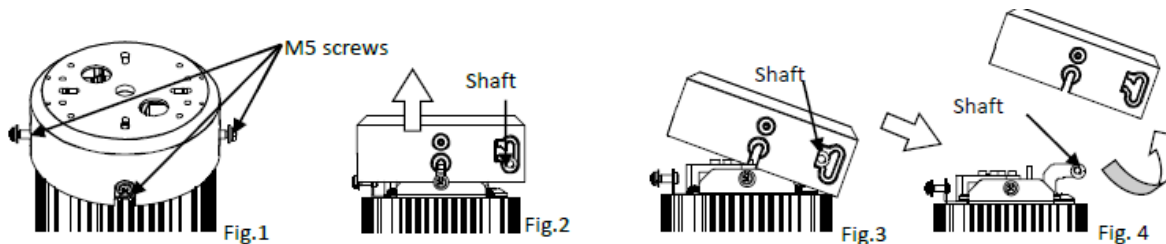


2. The Luminaire can be hung from the proper structural member.
3. Tighten the set-screw on the top of the hook to prevent loosening.
4. If installing power hook option requires wire connections, open the cap as described in the previous section, and refer to the Wiring Instructions section of these instructions for the correct wiring process.

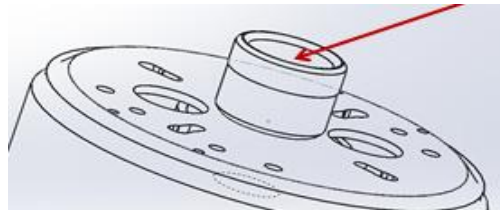


## PENDANT (DOWNROD) MOUNT OPTION:

1. LOOSEN the three (3) M5 screws that secure the cap in place.
2. Open the cap, slide it around the shaft, and detach the cap from the luminaire hinge.



3. Remove the Green bonding wire, if attached, to allow the cap and luminaire to be separated.



4. Once the cap has been removed, it can be threaded onto a  $\frac{3}{4}$ " pendant pipe (not provided), which must already be secured in place. If present, insert the power supply wires extending out of the pendant pipe, through the hub on the top of the cap.
5. Screw the cap hub and cap onto the pendant, and secure tightly using a pipe wrench. Loctite®51604, locking nut/ washer, or other pipe adhesive may be used to help secure the joint. (Not Provided)
6. Reattach the luminaire to the hinge shaft. The luminaire will hang open from the hinge to allow completion of the wiring connections.
7. Refer to the Wiring Instructions section of these instructions for the correct wiring process.
8. Luminaires equipped with the optional cord and NEMA plug are already connected to the terminal block. No internal wiring steps are necessary.
9. Close the luminaire, being careful not to pinch the wires in the cap, and secure it tightly with the three (3) M5 screws.

**THE HBL LED Luminaire is provided with a security cable. It is recommended that this cable be installed, and secured to a solid, secure structure. Use an M6 or M8 screw, or other suitable hardware.**

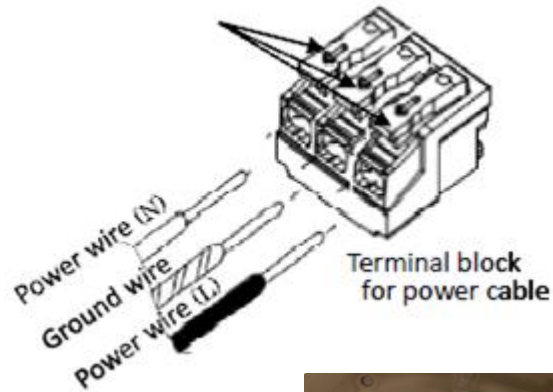
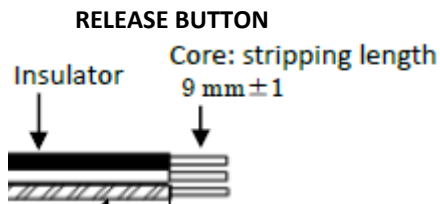


## Wiring Instructions:

Luminaires equipped with the optional cord and NEMA plug are already connected to the terminal block. No internal wiring steps are necessary. Mount the luminaire as instructed and insert the NEMA plug into the NEMA receptacle.

1. About 9mm of the wire insulator must be removed from each wire to insert into the terminal block for the power supply. Press the release buttons, and insert the bare wires into the terminal block in the following order:

**NOTE: 120 – 277V AC    DISCONNECT POWER BEFORE SERVICING OR INSTALLATION**



Insert the Green wire into the Ground terminal  
 Insert the White wire into the Line terminal  
 Insert the Black wire into the Neutral terminal  
 (Terminals are marked on the terminal block plate)



2. Secure the green Bonding wire, which is attached to the inside of the cap, to the green bonding screw in the top plate of the terminal block plate using a Nut Driver.
3. Close the luminaire by carefully pushing it up into the cap, and hold it firmly while securing it tightly with the three (3) M5 screws.

**MAKE FINAL mounting and position adjustments, and SECURE all fasteners.**

**CAUTION - Prepare for Light-Up test, by NOT being in direct view/sight line of LEDs being energized. ENERGIZE LUMINAIRE for a Light-Up test.**

**THE HBL LED Luminaire is provided with a security cable. It is recommended that this cable be installed, and secured to a solid, secure structure. Use an M6 or M8 screw, or other suitable hardware. This installation is complete.**



**EYE LIGHTING**  
INTERNATIONAL

# **HBL Series**

## **High Bay LED Luminaire**

**\*Retain a copy of these instructions.\***

**EYE Lighting International of North America, Inc.**  
*a division of Iwasaki Electric of Japan*

9150 Hendricks Road  
Mentor, Ohio 44060

Tel: (440) 350-7000  
Fax: (440) 350-7001

Page 5 of 5

[www.eyelighting.com](http://www.eyelighting.com)  
EQS3517 Rev: 1 06/2015