

IDL Series LED Industrial Dock Light

Project:

Type:

Catalog #:

Prepared by:

Date:

Notes:

Applications Include

Commercial and industrial shipping and receiving docks

Specification Features

The LED IDL is specifically designed for easy trouble free installation at dock bay areas in shipping/receiving operations. Most commercial and industrial facilities will benefit from using this new LED model reducing energy consumption at about 1/3 of energy compared to incumbent technology. Narrow optics provide a controlled beam to aim light. This 23W model delivers 1900 lumens suitable for majority of the logistics department's lighting needs. Its compact form effectively illuminates deep interiors of semi-tractor trailers and commercial shipping containers, enhancing safety and aids in preventing damage to goods when loading and loading shipments.

Construction

Precision die-cast aluminum housing effectively draws heat from advanced LEDs to ensure long service life. Durable housing protects LEDs with impact resistant borosilicate glass lens and utilizes stainless steel hardware to maximize light output from compact luminaire.

Mounting

Wall mount arm with different lengths (42" and 60") come with stainless steel hardware for quick and easy assembly.

Optics

Individual optics provides NEMA Type I narrow controlled beam to direct optimal delivered lumens. Luminaire incorporates highly specular forward throw reflector. Clear borosilicate lens seals LED compartment from elements.

Electrical

A constant current electronic driver operates at 120 to 277V at 50/60hz, operating temperature range is -20° C to +40° C. The power cord and NEMA 5-15P grounded plug facilitates connection to arm mount, wiring into a junction box or other source.

Finish

A durable powdercoat finish is formulated for chip and fade resistance in standard safety yellow. Rated for outdoor use.

Warranty

5 Year Limited LED Luminaire Warranty to the original purchaser that the luminaire shall be free from defects in material and workmanship for up to five (5) years from date of shipment. This limited warranty covers the fixture, LED driver and LEDs when installed and operated according to manufacturer's instructions. See EYE Lighting's full Warranty and Terms & Condition of Sale at www.eyelighting.com.

Listings and Ratings

UL listed. IP66 rated. The IDL dock light is tested to IESNA LM-79-08 standards at 25° C ambient. IES files are available at www.eyelighting.com.



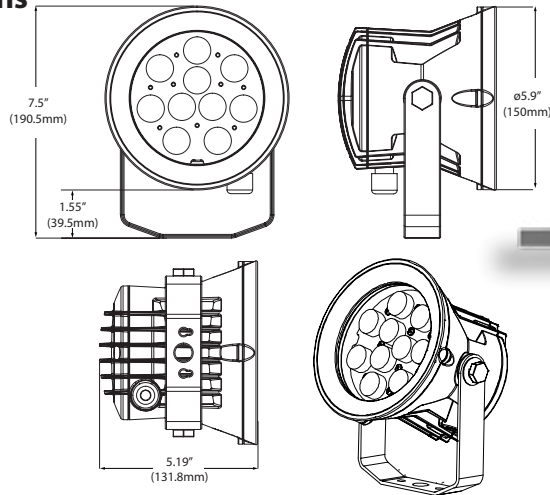
Order Guide

SAMPLE NUMBER : IDL-L2-640-N-120-YL

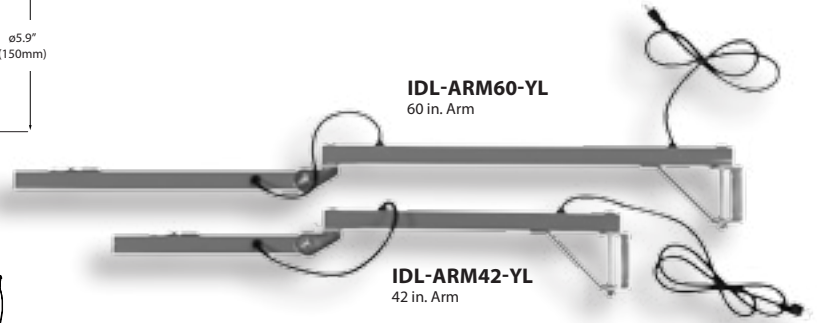
FAMILY	LUMENS	CRI	CCT	DISTRIBUTION	VOLTAGE	FINISH
IDL	L2	6	40	N	120	YL
IDL	L2 = 1900 LM @ 23W	6 = 65	40 = 4000K	N = Narrow	120 = 120V	YL = Yellow

* Factory Installed

Dimensions



Accessories (Ordered Separately, field installed)



Weight 4.46 lbs. (2.03 kg)

Performance Data

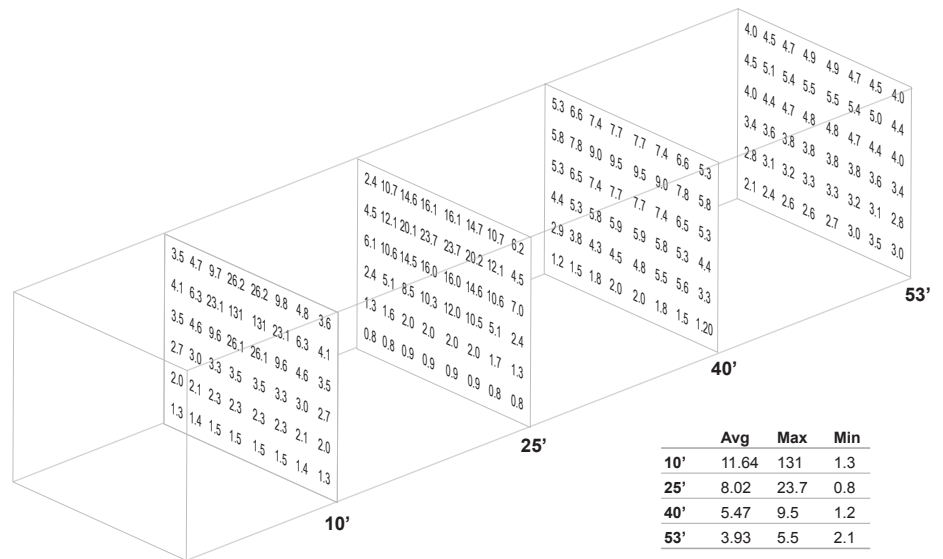
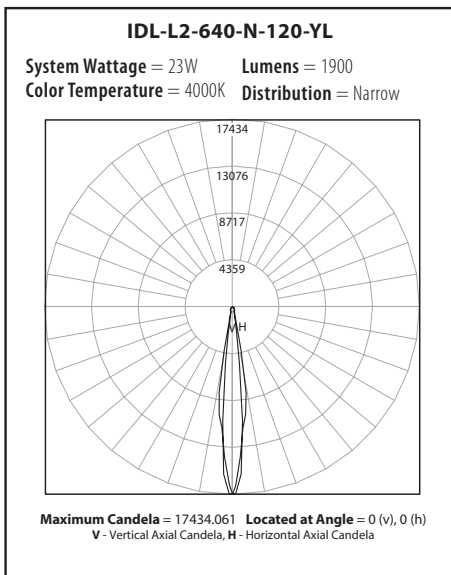
Wattage Summary

Model	LED Qty.	Drive Current	Luminaire Wattage	Average Lumens	CCT	CRI	Lumen Maintenance (L70 At 25°C)
L2	10	197 mA	23	1900	4000K	65	>150,000 hrs.

Ambient Data

Ambient Temperature	Lumen Multiplier
15°C	1.02
25°C	1.00
40°C	0.98

Photometric Data



Footcandle measurements per the IES file at 10' 25' 40' and 53'

- Results may vary from test due to power, ambient conditions and individual component performance variations.
- Data is provided to estimate typical performance.
- Engineering estimates and data are based on initial absolute lumens.
- Lumen output may vary 10% due to LED manufacturer flux specification.

- Predicted performance calculated from LED manufacturer data and engineering estimates based on test methodologies of IESNA LM-80, LM-79 and TM-21.
- L70 Hours is the predicted time when LED performance depreciates to 70% of initial lumen output.
- EYE Lighting reserves the right to change materials or modify the design of its product without notification.

- Consult factory for lead time and availability.
- Other modes of failure could occur after the 60,000 hour period
- Reference photometric data sheet for lumen levels based on color temperature and distribution type

EYE Lighting International of North America, Inc.
a division of Iwasaki Electric of Japan

9150 Hendricks Road
Mentor, Ohio 44060

Tel: (888) 665-2677
Fax: (440) 350-7001

www.eyelighting.com