

## GL SERIES SURFACE / PENDANT JUNCTION BOX MOUNTING KIT INSTRUCTIONS

**IMPORTANT SAFETY INSTRUCTIONS:** The instructions provided herein are made available for reference when attaching the mount kits to the GL-Series Luminaire. Refer to the GL Series Installation instructions before installation. This equipment is intended to be installed by qualified personnel. The installation must be made in accordance with the current edition of the National Electric Code, and all applicable state and local building codes. The final installation must be approved by the appropriate, qualified, electrical/building inspector(s). Improper Installation may result in a risk of fire or electrical shock hazard. If any portion of these installation instructions is unclear do not proceed with the installation. Contact an EYE Lighting Representative at 1-888-665-2677.

### READ AND FOLLOW ALL SAFETY INSTRUCTIONS BEFORE STARTING INSTALLATION

#### WARNINGS AND CAUTIONS:

- **DANGER – RISK OF SHOCK – DISCONNECT POWER BEFORE INSTALLATION**
- Maintain minimum distance of 0.5 m (1.6 ft) from walls or any other flammable surface.
- Maintain minimum distance of 1.0 (3 ft) from lighted objects.
- **DO NOT** operate with cracked and/or broken lens/glass cover.
- **DO NOT** install close to a heat source.
- Mounting surface must be specified to properly support 50 lbs (22.67kg) per NEC. Do not use the luminaire to support ones weight, do not hang onto luminaire. Wear proper equipment, including safety glasses and gloves, when installing and servicing luminaire.
- Failure to provide proper luminaire grounding may result in serious personal injury.
- Improper installation and/or utilization may void manufacturer’s warranty.
- Allow sufficient cool down time prior to handling and/or servicing luminaire.
- **DO NOT** open the luminaire. There are no user serviceable parts inside.  
**DO NOT** remove or tamper with the cable gland or plug. These have been supplied and installed to the luminaire accordance with the manufacturer’s instructions. Any tampering may void the manufacturer warranty.
- SUITABLE FOR MOUNTING WITHIN 4 ft (1.2 m) OF THE GROUND



**DO NOT OPERATE IF CRACKED OR BROKEN**

#### NOTE:

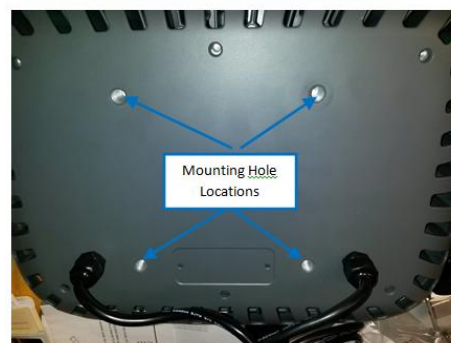
- **Installation Hardware, Chains, and Pendant Arms are NOT included with luminaire and shall be provided by installer, or other suppliers. If defects are noticed contact EYE Lighting at 1-888-665-2677.**

#### TOOLS REQUIRED:

Attaching the Mounting Kit is completed using:

- 1) Hex Key, 6mm
- 2) Torque wrench capable 10 Nm

Mounting screw locations shown on rear of unit.



**FIGURE 1**

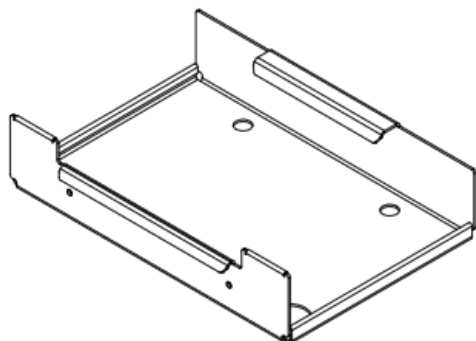
## SURFACE / PENDANT MOUNT JUNCTION BOX ATTACHMENT INSTRUCTIONS

This Luminaire is "Suitable for mounting within 4 feet, (1.2 m) of the ground". With this Chain Mount Kit, the GL luminaire is suitable for ceiling mounting and steel frame mounting.

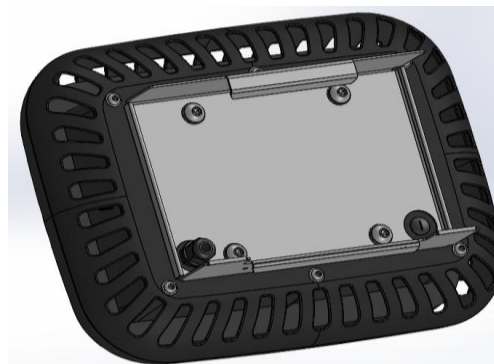
Suitable for concrete ceiling and steel frame mounting. Install in accordance with the application installation code by a person familiar with the construction and operation of the product and the hazards involved.

### SURFACE / PENDANT MOUNT JUNCTION BOX KIT

06261-0000X-000			
1	EACH	06261-XXXXX-XXX	JUNCTION BOX
4	EACH	06277-00001-000	GL SS MOUNTING BOLT (M10)
4	EACH	06283-00000-000	WASHER SS ML35 MOUNT
4	EACH	06308-00001-000	WASHER, Flat 18x10.5x1mm EPDM
2	EACH	11481-00001-000	PHILLIPS PAN HEAD SCREW #8-32 x ¼"
1	EACH	11480-00001-000	GROUND SCREW, #8-32 x ¼" GREEN

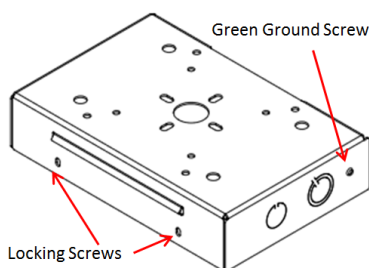


**FIGURE 2**



**FIGURE 3**

1. Place the GL Luminaire face down on a surface which will not damage the cover lens.
2. Place four (4) EPDM Flat Washers over the mounting holes on the rear of the GL Luminaire. (See Figure 1.0)
3. Separate the top and bottom halves of the Junction Box.
4. Align the bottom half of the box over the rear of the luminaire, so that the four (4) mounting holes line up with the holes shown in figure 1.
5. Place four (4) of the flat washers over the holes inside the Junction Box.
6. Thread four (4) the mounting bolts through the flat washers, holes in the junction box, EPDM washers, and into the back of the GL Luminaire.
7. Tighten the bolts using a torque wrench to 100kgf · cm.
8. Replace the top half of the Junction Box, and insert the ground screw, and two Phillips pan head locking screws.



See Figure 4.

**FIGURE 4**

Page 2 of 3

### EYE Lighting International of North America, Inc.

A division of Iwasaki Electric of Japan

9150 Hendricks Road  
Mentor, Ohio 44060

Tel: (888) 665-2677  
Fax: (440) 350-7001

EQS-3445 REV: NEW  
www.eyelighting.com

9. The luminaire is now ready for installation. (See GL Series Installation Instructions).
10. **NOTE: Failure to use the protective EPDM washers could result in damage to the luminaire and may void the warranty.**

**See GL Series Installation Instructions for Installation and Electrical connections.**

**\*\*DISCONNECT POWER BEFORE INSTALLATION AND/OR SERVICING\*\***

EYE Lighting is not be responsible for improper installation or handling of luminaires.

Retain a copy of these instructions for future reference.