



Applications Include

Stadiums, Shopping Malls, Large Parking Areas

Specification Features

Construction

The Deluxe Area Light features an architectural die-cast aluminum construction. The mounting arm and main body are both solid aluminum castings for strength and durability. The driver is housed inside the mounting arm, keeping it thermally isolated from the LED compartment. The patented centerpiece inside the main housing provides superior LED thermal management. The IP65 rated main body is completely sealed, protecting it from the intrusion of water, insects and dust in harsh outdoor environments yet allows routine maintenance and cleaning. Silicone gaskets and heavy duty glass optics ensure long life and consistent performance over time.

Mounting

The mounting arm features a hinged door that is held in place with a single captive screw. The luminaire is designed to bolt directly to a square pole or flat surface. Round pole adapters are available.

Optics

Four heavy duty glass optics provide IES Types III and V distribution patterns. Types II and IV are available, extended lead times are required. The glass optics seal each high powered COB LED from water and dirt ingress, providing long life and consistent performance throughout the lifetime of the luminaire.

Electrical

A constant current driver accepts 120 to 277 volt input at 50/60Hz. An optional high voltage constant current driver accepts 347 or 480 volt input at 50/60Hz. The driver operates at greater than 0.9 Power Factor and lower than 20% Total Harmonic Distortion and has 0-10VDC dimming capability. A 1 foot (0.3m) power cord extends from the driver for ease of wiring inside the mounting arm. A 10kV / 10kA surge protector is optional.

Finish

The paint process begins with a multi-stage cleaning, pretreatment and chemical conversion coating process. A durable polyester powdercoat is then electrostatically applied to a 2- to 3-mil thickness. This process ensures protection from impact, UV and salt spray damage.

Warranty

5-year Limited LED Luminaire Warranty to the original purchaser that the luminaire shall be free from defects in material and workmanship for up to five (5) years from date of shipment. This limited warranty covers the fixture, LED driver and LEDs when installed and operated according to manufacturer's instructions. See EYE Lighting's full Warranty and Terms & Conditions of Sale at www.eyelighting.com.

Listings and Ratings

UL Listed in the U.S.A. and Canada to U.L. 1598 wet location standards. IP65 rated main housing. Tested to IESNA LM-79-08 test standards at 25°C ambient. IES files are available at www.eyelighting.com.

Project:
Type:
Catalog #:
Prepared by:
Date:
Notes:



** Check the latest update at www.DesignLights.org for listed product catalog numbers. Not all versions listed.

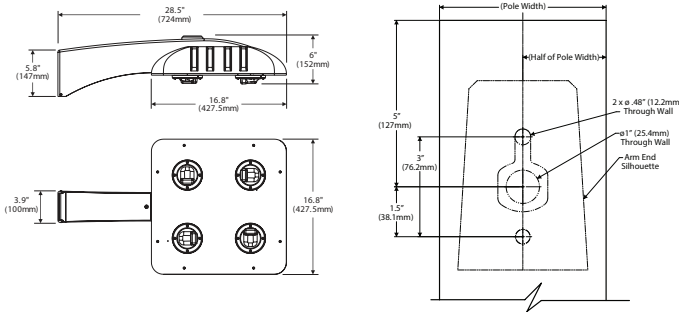
Order Guide

SAMPLE NUMBER: DAL-L19-740-5S-UNVN-DB-VE1

FAMILY	LUMENS	CRI	CCT	DISTRIBUTION	VOLTAGE	DIMMING	FINISH	PHOTOCELL RECEPTACLE	WIRING	SURGE PROTECTION
DAL		7					DB		E1	
DAL = Deluxe Area Light	L19 = 19,000 @ 130W L22 = 22,000 @ 180W L27 = 27,000 @ 230W	7 = 70 CRI	40 = 4000K 50* = 5000K	2S* = Type II 3S = Type III 4S* = Type IV 5S = Type V	UNV = 120-277V UNH* = 347/480V	N = None D* = 0-10V DC	DB = Dark Bronze	V = None R* = 7-pin	E1 = Driver Leads	S1* = 10kVA Surge

* These options are for made-to-order units only. Additional lead time required.

Dimensions



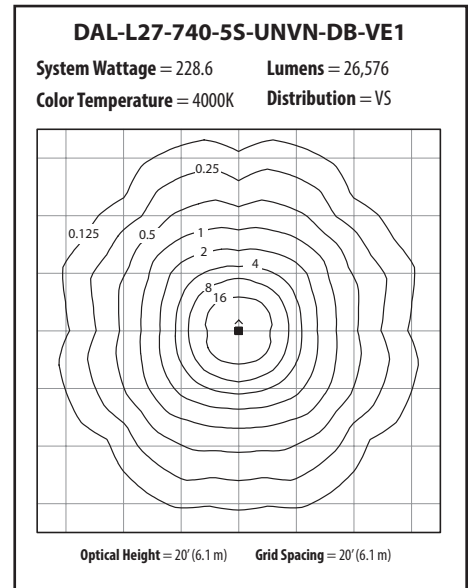
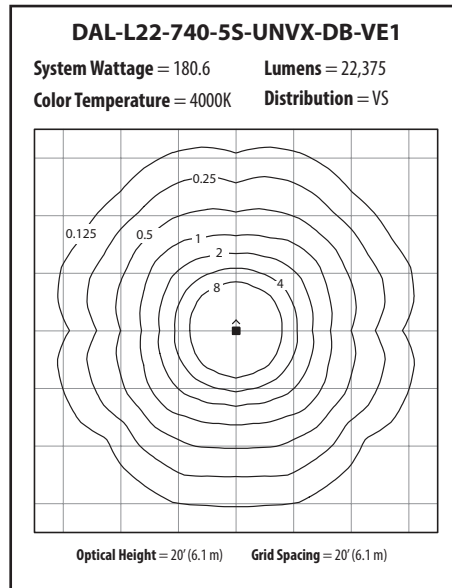
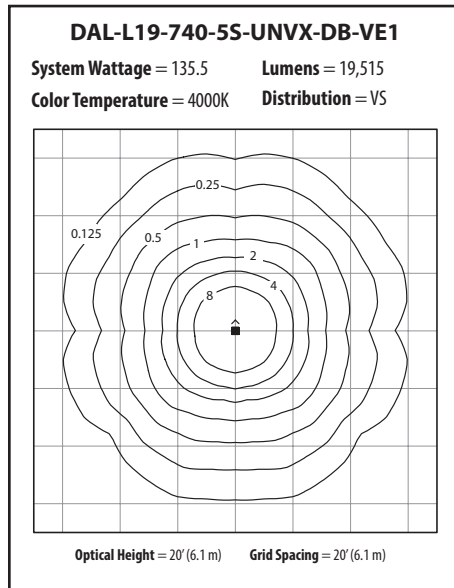
Weight 26 lbs. (11.8 kg)
EPA 1.2 ft² (0.11 m²)

Performance Data

Wattage Summary

Model	LED Qty	Drive Current	Luminaire Wattage	Average Lumens	Lumen Maintenance (L70 at 25°C)	Lumen Maintenance (L70 at 50°C)
L19	4	600 mA	130	19,000	>84,000 hrs.	>84,000 hrs.
L22	4	800 mA	180	22,000	>84,000 hrs.	>84,000 hrs.
L27	4	1000 mA	230	27,000	>84,000 hrs.	>84,000 hrs.

Photometric Data



- Product specifications subject to change or product may be discontinued without notice.
- Data shown is typical and based on laboratory conditions. Actual performance in specific applications may vary.
- Results may vary from test due to power, ambient conditions and individual component performance variations.
- Data is provided to estimate typical performance.

- Engineering estimates and data are based on initial absolute lumens.
- Lumen output may vary 10% due to LED manufacturer flux specification.
- Predicted performance calculated from LED manufacturer data and engineering estimates based on test methodologies of IESNA LM-80, LM-79 and TM-21.

- L70 Hours is the predicted time when LED performance depreciates to 70% of initial lumen output.
- EYE Lighting reserves the right to change materials or modify the design of its product without notification.
- Consult factory for lead time and availability.
- Other modes of failure could occur after the 60,000 hour period
- Reference photometric data sheet for lumen levels based on color temperature and distribution type

EYE Lighting International of North America, Inc.
a division of Iwasaki Electric of Japan

9150 Hendricks Road
Mentor, Ohio 44060

Tel: (888) 665-2678
Fax: (440) 350-7001

Accessories (Ordered separately)

1707-003
Programmable Motion Sensor with Dimming Capability.
Remote Mounted.

CT1000
Commissioning Tool for Motion Sensor Settings

ROUND POLE ADAPTERS

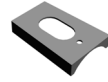
DAL-RPA-30-DB
Dark Bronze Round Pole Adapter for 3.0" OD Pole

DAL-RPA-35-DB
Dark Bronze Round Pole Adapter for 3.5" OD Pole

DAL-RPA-40-DB
Dark Bronze Round Pole Adapter for 4.0" OD Pole

DAL-RPA-45-DB
Dark Bronze Round Pole Adapter for 4.5" OD Pole

DAL-RPA-50-DB
Dark Bronze Round Pole Adapter for 5.0" OD Pole



HOUSE SIDE SHIELD

DAL-HSS-DB
House Side Shield for Deluxe Area Light, Dark Bronze



Ambient Data

Ambient Temperature	Lumen Multiplier
15°C	1.02
25°C	1.00
40°C	0.98
50°C	0.96