
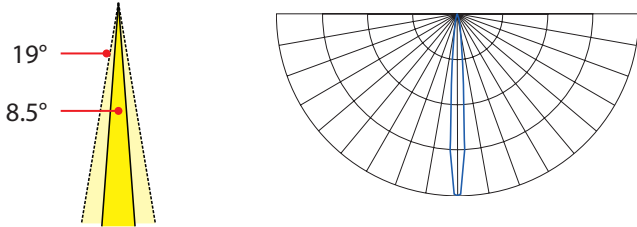

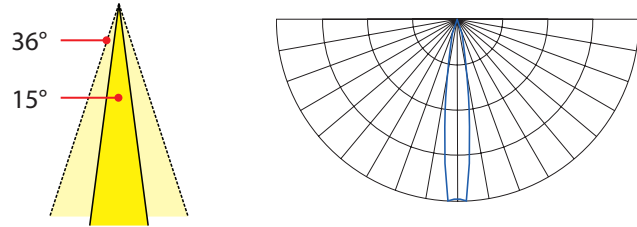

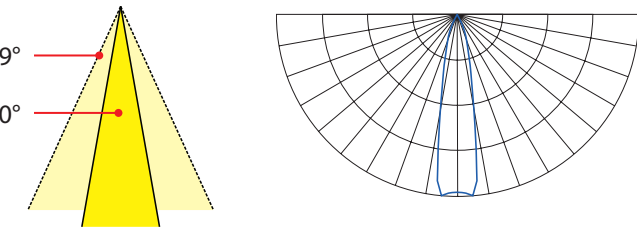

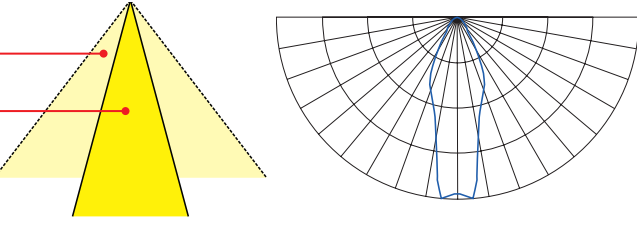

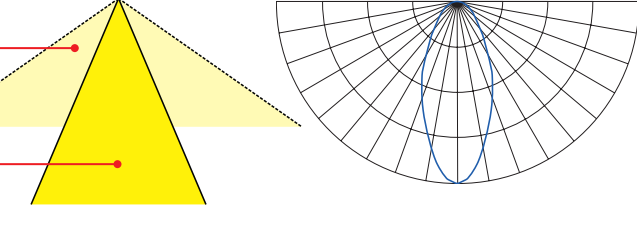




Distribution Type	COB Diameter	Cone Type	Lens	Beam Angle (50% max candela, solid line) Field Angle (10% max candela, dotted line)
Narrow (NEMA 2x2) 	Small	Long Mirrored	Clear	
Medium Narrow (NEMA 3x3) 	Large	Long Mirrored	Clear	
Medium (NEMA 4x4) 	Large	Short Mirrored	Clear	
Medium Wide (NEMA 5x5) 	Large	Short White	Clear	
Wide (NEMA 6x6) 	Large	Short White	Frosted	

Notes: FL4 models shown; FL2 models follow the same design criteria. NEMA Type determined by field angle.

EYE Lighting International of North America, Inc.

a division of Iwasaki Electric of Japan

9150 Hendricks Road
Mentor, Ohio 44060

Tel: (888) 665-2678
Fax: (440) 350-7001