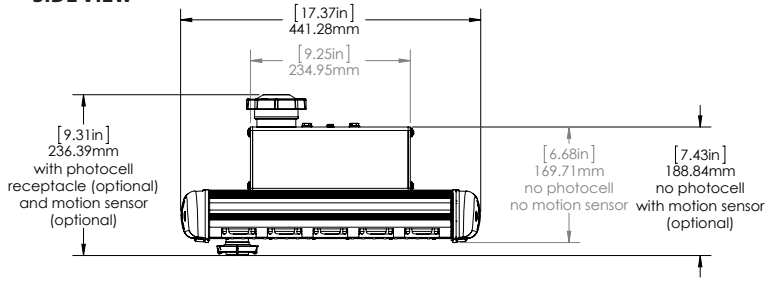


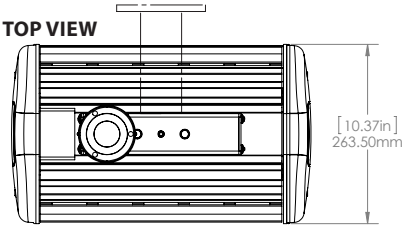


**Dimensions**

**SIDE VIEW**
















**TOP VIEW**



**EPA** .74 ft<sup>2</sup>.  
**Weight** 17 lbs.

**Accessories (Ordered Separately)**

(please refer to the individual spec sheet for ordering information)

-  **MAPWM1-15-DB-FS-06<sup>6</sup>**  
Flat Mount 2-3/8" O.D. Arm Assembly (Square Pole or Wall Mount)
-  **MARPC1-15-DB-30-02<sup>5</sup>**  
Coped Mount 2-3/8" O.D. Arm Assembly (Round Pole)<sup>7</sup>
-  **VSR100-18-DB-23<sup>6</sup>**  
Single 2-3/8" O.D. Arm Tenon Adapter (Round Pole)<sup>7</sup>
-  **VSR218-18-DB-23<sup>6</sup>**  
(2) 2-3/8" O.D. Arms @ 180° Tenon Adapter (Round Pole)<sup>7</sup>
-  **VSR290-18-DB-23<sup>6</sup>**  
(2) 2-3/8" O.D. Arms @ 90° Tenon Adapter (Round Pole)<sup>7</sup>
-  **VSR312-18-DB-23<sup>6</sup>**  
(3) 2-3/8" O.D. Arms @ 120° Tenon Adapter (Round Pole)<sup>7</sup>
-  **VSR390-18-DB-23<sup>6</sup>**  
(3) 2-3/8" O.D. Arms @ 90° Tenon Adapter (Round Pole)<sup>7</sup>
-  **VSR490-18-DB-23<sup>6</sup>**  
(4) 2-3/8" O.D. Arms @ 90° Tenon Adapter (Round Pole)<sup>7</sup>
-  **VSS100-18-DB-40-011<sup>6</sup>**  
Single 2-3/8" O.D. Arm Pole Adapter (Square Pole)<sup>8</sup>
-  **VSS218-18-DB-40-011<sup>6</sup>**  
(2) 2-3/8" O.D. Arms @ 180° Pole Adapter (Square Pole)<sup>8</sup>
-  **VSS290-18-DB-40-011<sup>6</sup>**  
(2) 2-3/8" O.D. Arms @ 90° Pole Adapter (Square Pole)<sup>8</sup>
-  **VSS390-18-DB-40-011<sup>6</sup>**  
(3) 2-3/8" O.D. Arms @ 90° Pole Adapter (Square Pole)<sup>8</sup>
-  **VSS490-18-DB-40-011<sup>6</sup>**  
(4) 2-3/8" O.D. Arms @ 90° Pole Adapter (Square Pole)<sup>8</sup>

5 Custom arm lengths from 8" to 15" available  
6 Custom arm lengths from 12" to 18" available

7 Existing pole or tenon O.D. must be specified  
8 Existing pole O.D. and wall thickness must be specified

**SC1000** Shorting Cap

**CT1000** Commissioning Tool for Motion Sensor Settings

**Performance Data**

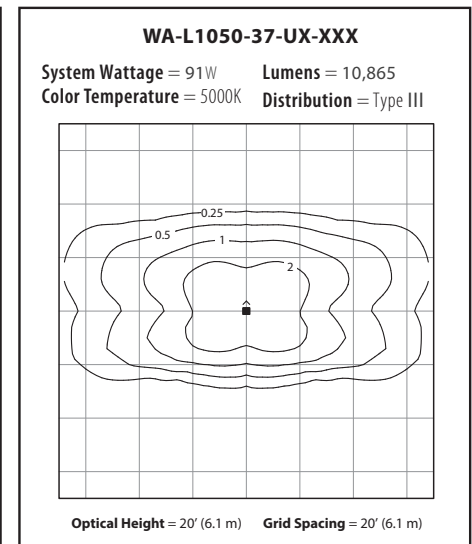
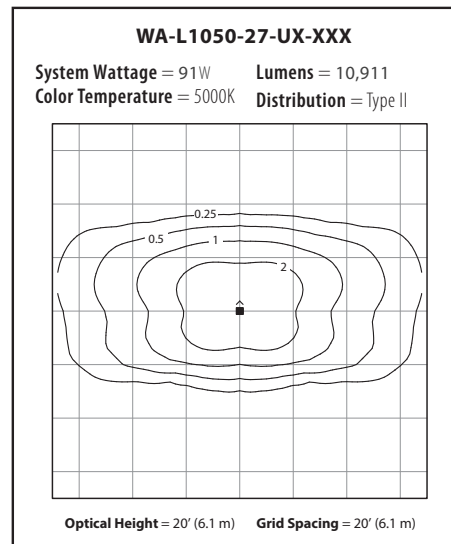
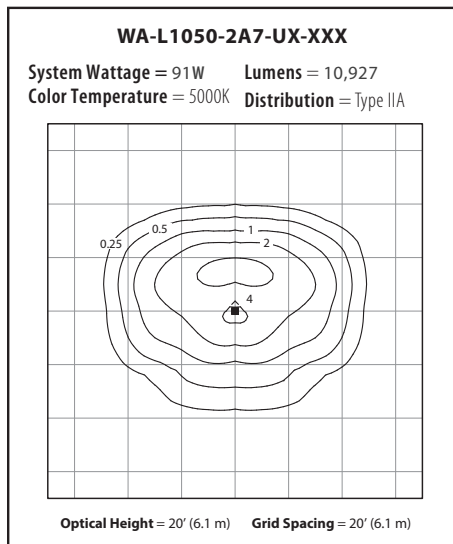
**Wattage Summary**

Model	LED Qty.	Drive Current	Luminaire Wattage	Average Lumens	Lumen Maintenance (L70 At 25°C)	Lumen Maintenance (L70 At 40°C)
L3	16	700 mA	38	4,000	>200,000 hrs.	>200,000 hrs.
L7	32	700 mA	75	8,000	>200,000 hrs.	>200,000 hrs.
L10	64	350 mA	90	10,750	>200,000 hrs.	>200,000 hrs.

**Ambient Data**

Ambient Temperature	Lumen Multiplier
15°C	1.02
25°C	1.00
40°C	0.98

**Photometric Data**



- Results may vary from test due to power, ambient conditions and individual component performance variations.
- Data is provided to estimate typical performance.
- Engineering estimates and data are based on initial absolute lumens.
- Lumen output may vary 10% due to LED manufacturer flux specification.

- Predicted performance calculated from LED manufacturer data and engineering estimates based on test methodologies of IESNA LM-80, LM-79 and TM-21.
- L70 Hours is the predicted time when LED performance depreciates to 70% of initial lumen output.
- EYE Lighting reserves the right to change materials or modify the design of its product without notification.

- Consult factory for lead time and availability.
- Other modes of failure could occur after the 60,000 hour period
- Reference photometric data sheet for lumen levels based on color temperature and distribution type
- U.S. Patents: D632,000; D631,999;

**EYE Lighting International of North America, Inc.**

a division of Iwasaki Electric of Japan

9150 Hendricks Road  
Mentor, Ohio 44060

Tel: (888) 665-2677  
Fax: (440) 350-7001

[www.eyelighting.com](http://www.eyelighting.com)