

Aphos™
Luminaires by EYE Lighting



Applications Include

Parking garages, warehouses and canopies.

Specification Features

Construction

Aphos luminaires feature a combination of die-casting and extruded aluminum construction. A patented dynamic airflow thermal management design creates a chimney effect that increases airflow across the heat sink structure. This reduces the LED case and junction temperatures for greater reliability, long life and superior lumen maintenance. The IP65 rated optics and IP67 rated driver offer protection against environmental factors such as water, insects and dirt, as well as against the demands of routine maintenance and cleaning. Silicone gaskets and UV-stabilized acrylic lenses help ensure a long service life and consistent performance. Aphos is suitable for -35°C to 40°C ambient conditions.

Mounting

The mounting box on top of the Aphos Mini Ceiling Mount is designed to attach directly to a 4" surface or recess mounted junction box. The mounting box also has a 1" (25.4 mm) hole in the top for pendant mount applications. Trunnion accessories are available.

Optics

Modular custom optics provide light on task and maximize optical transmission efficiency. The Aphos Mini Ceiling Mount provides a variety of provides a variety of different optical distribution patterns, including Type II, IIA, III and V configurations, to provide the level of light required for a specific application.

Electrical

A field replaceable constant current driver accepts 90 to 305V input at 50/60hz. The driver operates at greater than 0.9 Power Factor and lower than 20% Total Harmonic Distortion and has 0-10VDC dimming capability. A field replaceable surge protector rated to 10kV/10kA of transient line surge is optional. Three foot (914 mm) leads pass through a waterproof connector to facilitate wiring.

Finish

EYE Lighting utilizes a multi-stage cleaning, pretreatment and chemical conversion coating process. A durable polyester powdercoat is then electrostatically applied to a 2 to 3 mil thickness. This process ensures protection from impact, UV and salt spray damage.

Warranty

5 Year Limited LED Luminaire Warranty to the original purchaser that the luminaire shall be free from defects in material and workmanship for up to five (5) years from date of shipment. This limited warranty covers the fixture, LED driver and LEDs when installed and operated according to manufacturer's instructions. See EYE Lighting's full Warranty and Terms & Conditions of Sale at www.eyelighting.com.

Listings and Ratings

ETL Listed in the U.S.A. and Canada to U.L. 1598 wet location standards. IP65 rated optics. IP67 rated driver. Tested to IESNA LM-79-08 test standards at 25°C ambient. IES files are available at www.eyelighting.com.



* Consult factory for recognized products
** Check the latest update at www.DesignLights.org for listed product catalog numbers. Not all versions are listed.

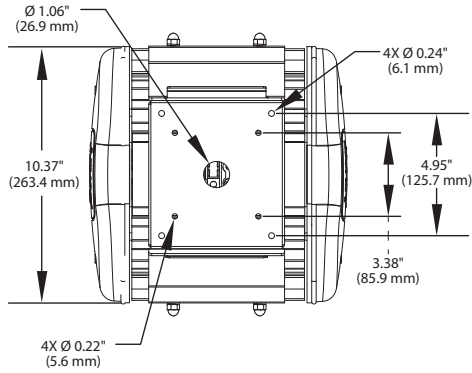
Order Guide

SAMPLE NUMBER : CMM-L340-2A7-UK-VE1

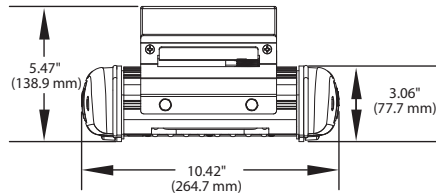
FAMILY	LUMENS	CCT	TYPE	CRI	VOLTAGE	FINISH	PHOTOCELL RECEPTACLE	WIRING	SURGE PROTECTION
CMM	L3			7			V	E1	
CMM	L3 = 3,000	40 = 4000K 50 = 5000K	2 = Type II 2A = Type II Asymmetric 3 = Type III 5S = Type V Short 5M = Type V Medium	7 = 70 CRI	U = 120-277V H = 347/480V	K = Black W = White S = Silver N = Dark Bronze Q = Custom	V = No Photocell Receptacle	E1 = Wire Leads with Weatherproof Connector	S = 10kV/10kA Surge Protector

Dimensions

TOP VIEW



SIDE VIEW



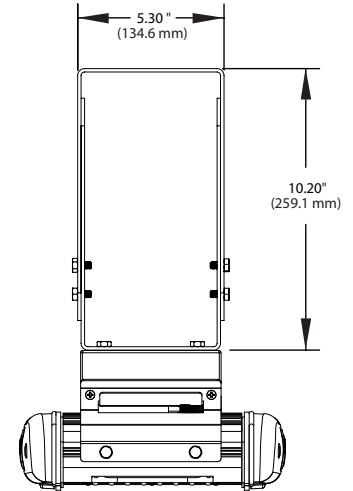
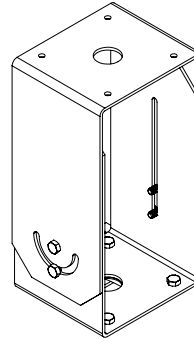
Weight 13 lbs.

Accessories (Ordered Separately)

(please refer to the individual spec sheet for ordering information)

TRUNNION MOUNT

- TM1000K** = Black
- TM1000W** = White
- TM1000S** = Silver
- TM1000N** = Dark Bronze
- TM1000Q** = Custom Color



Performance Data

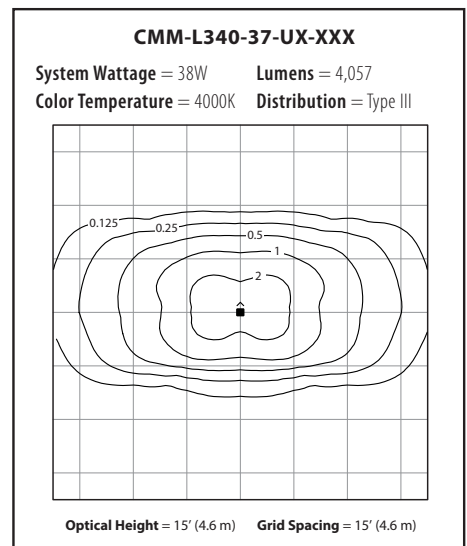
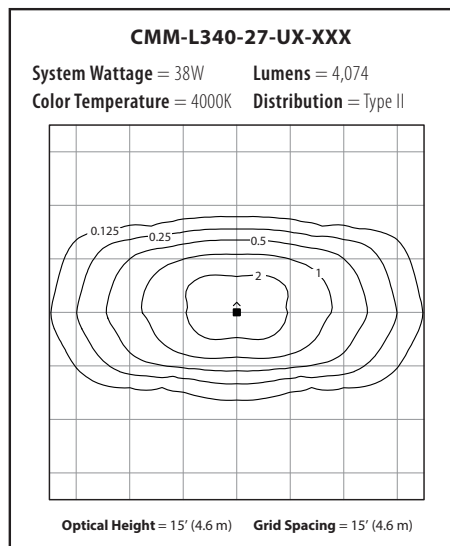
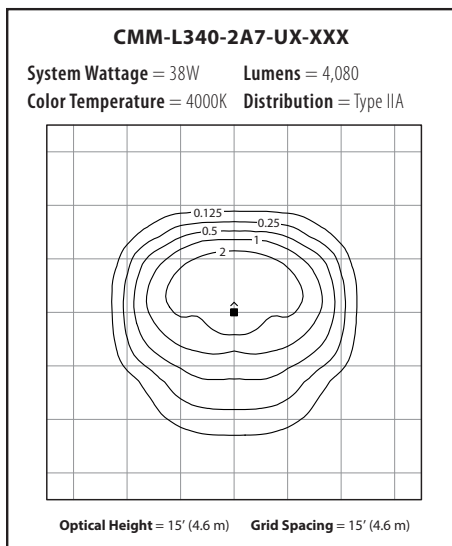
Wattage Summary

Model	LED Qty.	Drive Current	Luminaire Wattage	Average Lumens	Lumen Maintenance (L70 At 25°C)	Lumen Maintenance (L70 At 40°C)
L3	16	700 mA	38	4,000	>200,000 hrs.	>200,000 hrs.

Ambient Data

Ambient Temperature	Lumen Multiplier
15°C	1.02
25°C	1.00
40°C	0.98

Photometric Data



EYE Lighting International of North America, Inc.

a division of Iwasaki Electric of Japan

9150 Hendricks Road
 Mentor, Ohio 44060

Tel: (888) 665-2677
 Fax: (440) 350-7001

www.eyelighting.com