

Project ..... Date .....  
 Catalog # ..... Prepared by .....  
 Luminaire Type .....  
 Comments .....

# LEDioc® - 50W FLX with 7-pin Receptacle LED Post Top Upgrade Kit for Wireless Controls

*Applications include: Street/Area, Historic Districts, City Parks & Recreation, Campuses, Glass Lens Post Tops, and Plastic Lens Post Tops*

## Specification Features

### Construction

The LED upgrade kit includes the LED light source with 7-pin receptacle, LED driver and surge protector. The LED upgrade kit is capable of tool-less field adjusting the light center length of the LED light source to match the photometric light center length of the original luminaire.

### Mounting

The multiple position mounting box provides maximum flexibility and fast, simple installation. LED lampholder is hardwire mounted on a clamp assembly. Lamp operating position is base up or base down only.

### Optics

Designed for use in the existing HID post top luminaire optics, the LEDioc FLX provides tool-less height changes for final "on-site" adjustment.

### Electrical

Constant Current Driver is 120-277VAC input, with 0-10V dimming capability, and the operating temperature is -40° to +40° C. The 50W system driver has a 1150mA output. Electrical components, including a 3-wire 10kV/18kA surge protector, are enclosed within the mounting box to provide a compact installation. The 7-pin receptacle provides "future-proof" wireless controls option, dimming and two additional sensor inputs/communications.

### Reliability

The LEDioc lamp features cast aluminum passive thermal management, which allows air circulation around each LED module to ensure optimal lighting performance and long life.

### Warranty

Standard 5 year warranty. See the EYE Lighting full Warranty, and Terms & Conditions of Sale at [www.eyelighting.com](http://www.eyelighting.com).

### Listings

Designed to UL1598C Standards  
 Damp Location Rated  
 Complies with IEEE C62.41  
 UL Driver  
 ETL Recognized LED Lamp & Power Unit Assembly



Check the latest update at [www.DesignLights.org](http://www.DesignLights.org) for listed product catalog numbers. Not all versions are listed. Contact company for solution availability.

## Order Guide

CATALOG NUMBER	DESCRIPTION
LES - 50 - 827 - HWD - EY04 - UNV - 3R	50W, 2700K, 80 CRI, Hardwired, 120-277VAC, Surge Protector, 7-Pin Receptacle
LES - 50 - 730 - HWD - EY04 - UNV - 3R	50W, 3000K, 70 CRI, Hardwired, 120-277VAC, Surge Protector, 7-Pin Receptacle
LES - 50 - 740 - HWD - EY04 - UNV - 3R	50W, 4000K, 70 CRI, Hardwired, 120-277VAC, Surge Protector, 7-Pin Receptacle
LES - 50 - 750 - HWD - EY04 - UNV - 3R	50W, 5000K, 70 CRI, Hardwired, 120-277VAC, Surge Protector, 7-Pin Receptacle

### Field Installed Accessory

HS6 = 50W House-Friendly™ Shield

# LEDioc® - 50W FLX with 7-pin Receptacle

## LED Post Top Upgrade Kit for Wireless Controls

The complete LEDioc FLX kit includes: the exclusive patent pending EYE LEDioc lamp with 7-pin receptacle, driver, surge protector and mounting box. Installation is easy with an adjustable lamp to maintain the LCL, preserving the optics and photometric performance of the existing luminaire. Each solution includes application guidelines for the installer. Other solutions available, contact the factory or visit [www.eyelighting.com](http://www.eyelighting.com) for other solutions.

### Performance Data

LEDioc 50W Lamp Only	Correlated Color Temp (K)			
	5000K	4000K	3000K	2700K
Initial Lumens	6530	6300	6075	6000
Efficacy (lm/W)	131	126	122	120
Rated Average Life (L <sub>70</sub> @25°C)	>50000 hr			
Min. Color Rendering Index (Ra)	70	70	70	80
Operating Position	BUD±15°			

### Driver Specifications

**Nominal System Watts:** 50  
**Mode:** Constant Current Drive Mode  
**Dimming:** 0-10 Volt Dimmable Output  
**Ratings:** IP66 Rated  
**Operating Temp:** -40°C to +40°C  
**Class:** 2  
**Total Harmonic Distortion:** ≤20%  
**Internal Surge Protection:** 3kA & 6kV

### Input

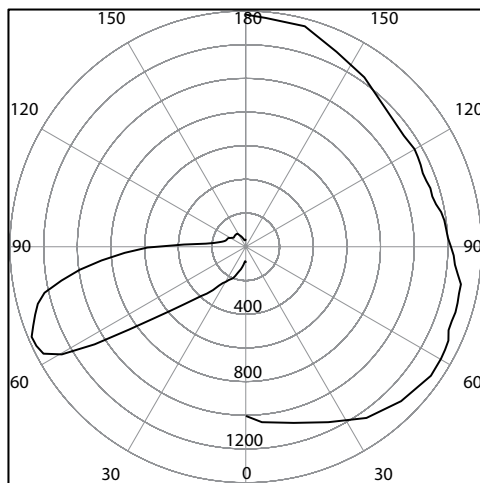
**Voltage:** 120 to 277VAC ± 10%  
**Current:** ≤0.5A (nominal)  
**Frequency:** 50/60Hz ± 10%  
**Power Factor:** >0.90 at Full Load

### Output

**Voltage:** 15 to 55 VDC  
**Current:** 1150mA  
**Power (max):** 50W

### Photometrics

#### LEDioc 50W



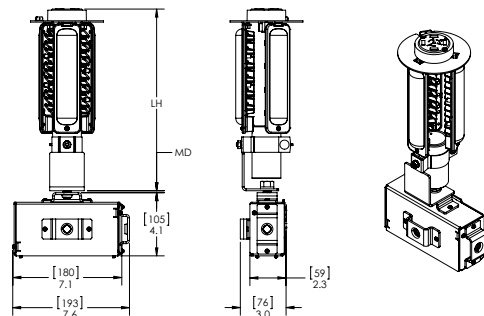
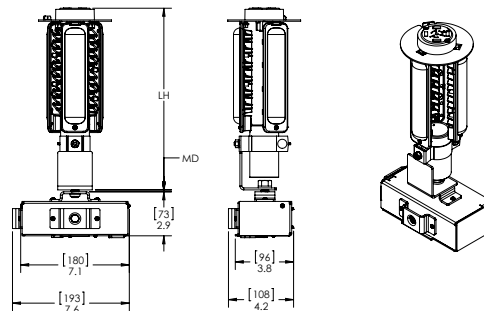
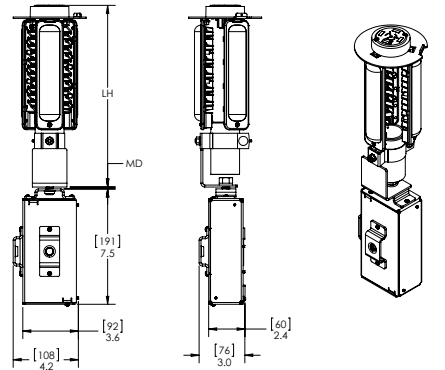
\* Photometric distribution is based on Lexalite Lindy 424 per DLC specifications in a Type V distribution.

#### NOTES:

- 1) Lexalite Lindy 424, is a trademark owned by its respective company.
- 2) Product specifications may change without notice. Please contact your local EYE Lighting sales representative for the latest product information.
- 3) This unit is designed to operate within a globe at least 15.87" in diameter by 23.25" in height; and a fitter that is at least 9" diameter by 14" in height (allowing for a taper at the lower end). The dimensions listed assume there is no internal refractor, reflectors or shields being used.
- 4) Delivered lumens and light distribution may be impacted by existing globe optics.
- 5) Designed for use with wireless nodes rated ≥70°C.

### Dimensions

LH: (Lamp Height Range) 11.7" (297 mm) Min./ 13.4" (340 mm) Max.  
 MD: (Mounting Plate Distance): Thickness of existing mounting plate in field  
 \*Allow additional space for wireless control node



### EYE Lighting International of North America, Inc.

a division of Iwasaki Electric of Japan

9150 Hendricks Road  
Mentor, Ohio 44060

Tel: (888) 665-2677  
Fax: (440) 350-7001

[www.eyelighting.com](http://www.eyelighting.com)