



Applications Include

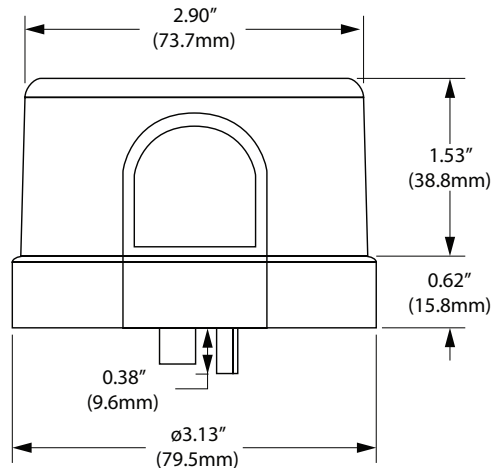
LED, HID, Induction, Fluorescent or Halogen Systems;
Roadways; Street Lighting; Parking Lots; Security Lighting

Features

- Meets or exceeds ANSI C136.10
- Rated 105-305VAC for 120, 208, 240 and 277VAC systems
- Will operate down to 90VAC
- Control rated -40° to +70°C. Base rated for 105°C interface temperature per ANSI C136.10
- FR4 fiberglass printed circuit board
- Silicon light sensor
- 2-5 second Turn OFF delay
- ANSI Standard 1.5±0.5 fc Turn ON, Turn OFF is 1.5 times the Turn ON level.
- Surge Protection: 160 joule MOV standard. Utility versions have 320 joule, 9500 amp MOV.
- 0.070 inch (1.78 mm) cover thickness
- Solid brass legs
- Load rating: 1800VA HID ballast or 1000W (10A) electronic LED driver
- Will switch electronic loads with up to 90A inrush current
- Fail ON and Fail OFF designs
 - » Use Fail OFF controls in situations where fixture life may be compromised by being ON during the day in unlikely event of a photocontrol failure
 - » Use more common fail ON controls in situations where a fixture being OFF at night is not acceptable
- Sealed relay
- Cover Colors - black (non-UL) or blue (UL)
- 50-piece carton quantity
- 8-year warranty

Project:
Type:
Catalog #:
Prepared by:
Date:
Notes:

Dimensions



Order Guide

CATALOG NUMBER

EYE124U102JS
EYE124U151MS
EYE124U262JS

DESCRIPTION

120-277V, UL, 1.0 fc turn-on, 2-5 second time delay, 320 joule surge protection, blue cover. Fail ON.
120-277V, UL, 1.5 fc turn-on, 1 second time delay, 160 joule surge protection, blue cover. Fail ON.
120-277V, UL, 2.6 fc turn-on, 2-5 second time delay, 320 joule surge protection, blue cover. Fail ON.

Sample Specification

for Silicon Multivolt RoHS Compliant Photocontrols

1. **Photocontrol:** Shall be a Locking Type (aka twist lock) and meet or exceed all requirements of ANSI C136.10 except as noted below.
2. **Line voltage:** 105-305 VAC @ 50/60 hertz.
3. **Load rating:** Shall be at least 1800 VA. Control must be able to operate incandescent, ballast, LED and lighting contractor type loads.
4. **Control relay:** Shall be sealed.
5. **Turn ON:** Shall be 1.5 ± 0.5 fc. Turn OFF shall be 1.5 times the turn ON level. Other turn ON levels may be specified by user.
6. **Photosensor:** Sealed silicon sensor. Cadmium sulphide cells are not acceptable.
7. **Failure mode:** Control will fail ON per ANSI definition. Relay must use normally closed contacts.
8. **Time delay:** Control must have instant ON and 2-5 seconds "OFF" delay.
9. **Surge protection:** Shall be in the form of a Metal Oxide Varistor (MOV) wired line to neutral. MOV shall be rated a minimum of 160 joules and 9500 amp surge. Finished control shall not fail when subjected to 5 surges of 9500 amps applied at 1 minute intervals. Surge wave form as described in ANSI C136.10-1996 section on High Surge.
10. **Housing:** Shall be black (non-UL) or blue (UL) and of an impact and UV resistant material. Impact resistance of housing shall be greater than 1.0 ft-lbs at -20°C. Top of cover 0.070 inch (1.78 mm) thick.
11. **Drop test:** Control must be capable of withstanding a drop of 3 feet (1 m) to a concrete floor without causing damage to the housing or changing electrical operation.
12. **Markings:** The following must appear on the control: month/year of manufacture, model description, operating voltage range and load rating.
13. **Power consumption:** Shall consume 0.5 watts or less at 120 VAC.
14. **Environmental:** Shall be RoHS compliant. It shall not contain lead, cadmium, mercury or hexavalent chromium. Pigments in plastic parts shall not contain bromine compounds or heavy metal pigments.
15. **Warranty:** 8 years (one for one control replacement, labor not included).
16. **Quality:** Control manufacturer must be ISO or similar certified.

EYE Lighting International of North America, Inc.

a division of Iwasaki Electric of Japan

9150 Hendricks Road
Mentor, Ohio 44060

Tel: (888) 665-2678
Fax: (440) 350-7001