



Applications Include

LED, HID, Induction, Fluorescent or Halogen Systems;
Roadways; Street Lighting; Parking Lots; Security Lighting

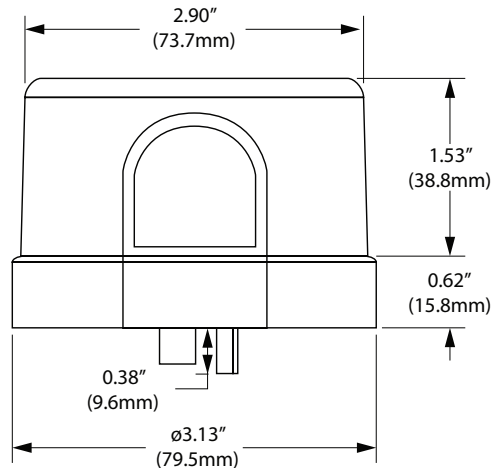
Features

- Meets or exceeds ANSI C136.10
- Rated 105-305VAC for 120, 208, 240 and 277VAC systems
- Will operate down to 90VAC
- Control rated -40° to +70°C. Base rated for 105°C interface temperature per ANSI C136.10
- FR4 fiberglass printed circuit board
- Silicon light sensor
- 2-5 second Turn OFF delay
- ANSI Standard 1.5±0.3 fc Turn ON, Turn OFF is 1.5 times the Turn ON level. Other options available
- Surge Protection: 160 joule MOV standard. Utility versions have 320 joule, 9500 amp MOV. Dual 320 joule MOVs optional as an upgrade to common 1704 and 1810 type products
- 0.070 inch (1.78 mm) cover thickness
- Solid brass legs
- Load rating: 1800VA HID ballast or 1000W (10A) electronic LED driver
- Will switch electronic loads with up to 90A inrush current
- Fail ON and Fail OFF designs
 - » Use Fail OFF controls in situations where fixture life may be compromised by being ON during the day in unlikely event of a photocontrol failure
 - » Use more common fail ON controls in situations where a fixture being OFF at night is not acceptable

- Versatile photocontrol design with many options
- Sealed relay
- UL version is blue. Non-UL versions available in blue, black, brown and yellow
- 50-piece carton quantity
- 8-year warranty

Project:
Type:
Catalog #:
Prepared by:
Date:
Notes:

Dimensions



Order Guide

SAMPLE NUMBER: EYE124N152JBK

MODEL	VOLTAGE	AGENCY APPROVAL	TURN ON	TIME DELAY	SURGE PROTECTION	COVER COLOR	FAILURE MODE
EYE							
EYE	124 = 120-277V 480 = 325-510V*	U = UL** N = None	10 = 1.0 fc 15 = 1.5 fc 26 = 2.6 fc	1 = None 2 = 2-5 seconds (standard) 3 = Bilateral 2-5 seconds	M = 160 Joules J = 320 Joules JJ = 2x320 Joules	S = UL Standard, Blue** BK = Black BU = Blue BR = Brown Y = Yellow (480V only)*	(blank) = Fail On F = Fail Off

*480V must use yellow cover. Yellow cover only available for 480V.

**UL Agency Approval: must use "S" cover color. "S" cover color only available for UL agency approval.

Sample Specification

for Silicon Multivolt RoHS Compliant Photocontrols

- 1. Photocontrol:** Shall be a Locking Type (aka twist lock) and meet or exceed all requirements of ANSI C136.10 except as noted below.
- 2. UL:** For standard photocontrols, UL versions will be available with a blue cover. Non-UL versions are available in black, brown or yellow or as specified by customer.
- 3. Line voltage:** 105-305 VAC @ 50/60 hertz.
- 4. Load rating:** Shall be at least 1800 VA. Control must be able to operate incandescent, ballast, LED and lighting contractor type loads.
- 5. Control relay:** Shall be sealed.
- 6. Turn ON:** Shall be 1.5 ± 0.3 fc. Turn OFF shall be 1.5 times the turn ON level. Other turn ON levels may be specified by user.
- 7. Photosensor:** Sealed silicon sensor. Cadmium sulphide cells are not acceptable.
- 8. Failure mode:** Control will fail ON per ANSI definition. Relay must use normally closed contacts.
- 9. Time delay:** Control must have instant ON and 2-5 seconds "OFF" delay.
- 10. Surge protection:** Shall be in the form of a Metal Oxide Varistor (MOV) wired line to neutral. MOV shall be rated a minimum of 160 joules and 9500 amp surge. Finished control shall not fail when subjected to 5 surges of 9500 amps applied at 1 minute intervals. Surge wave form as described in ANSI C136.10-1996 section on High Surge.
- 11. Housing:** Shall be black, opaque and of an impact and UV resistant material. Brown or blue covers may be used if required by user. Only blue controls will be UL listed. Yellow covers are only for and must be used in 480V applications. Impact resistance of housing shall be greater than 1.0 ft-lbs at -20°C . Top of cover 0.070 inch (1.78 mm) thick.
- 12. Drop test:** Control must be capable of withstanding a drop of 3 feet (1 m) to a concrete floor without causing damage to the housing or changing electrical operation.
- 13. Markings:** The following must appear on the control: month/year of manufacture, individual serial numbers, model description, operating voltage range and load rating.
- 14. Power consumption:** Shall consume 0.5 watts or less at 120 VAC.
- 15. Environmental:** Shall be RoHS compliant. It shall not contain lead, cadmium, mercury or hexavalent chromium. Pigments in plastic parts shall not contain bromine compounds or heavy metal pigments.
- 16. Warranty:** 8 years (one for one control replacement, labor not included).
- 17. Quality:** Control manufacturer must be ISO or similar certified.

EYE Lighting International of North America, Inc.

a division of Iwasaki Electric of Japan

9150 Hendricks Road
Mentor, Ohio 44060

Tel: (888) 665-2678
Fax: (440) 350-7001