



EYE Photocontrols Shorting Cap



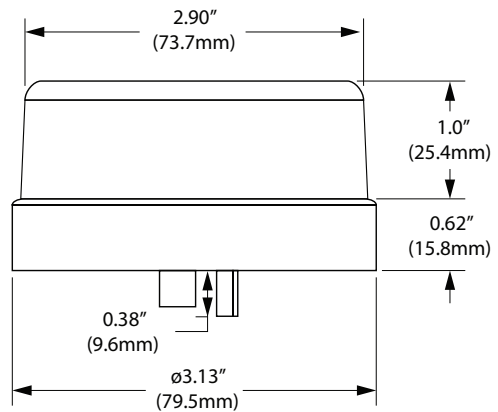
Applications Include

LED, HID, Induction, Fluorescent or Halogen Systems; Roadways; Luminaire Maintenance and Testing; Street Lighting; Parking Lots; Security Lighting

Features

- UL Listed shorting cap
- Rated for 0-480VAC (50/60Hz)
- Provides a water tight seal over a twist-lock photocell receptacle to keep the electrical circuit closed or open for testing or maintenance of the luminaire.
- Solid brass legs
- 15 amp maximum
- Suitable for LED luminaires up to 7200W, 7200W Tungsten / 7200VA Ballast
- UV stabilized polycarbonate cover
- 50-unit carton quantity
- 8-year warranty

Dimensions



Project:
Type:
Catalog #:
Prepared by:
Date:
Notes:

Order Guide

MODEL NUMBER	COVER COLOR	DESCRIPTION
EYESHORT	Black	Shorting caps keep luminaire or other load ON at all times. Used when a group control is before lighting circuit. Low profile cover, 0-480VAC. Stock.

