



Project:
Type:
Catalog #:
Prepared by:
Date:
Notes:

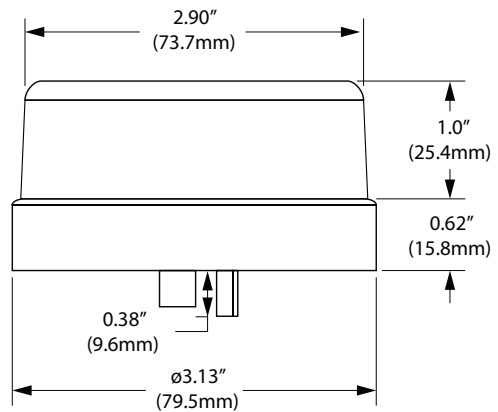
### Applications Include

LED, HID, Induction, Fluorescent or Halogen Systems; Roadways; Luminaire Maintenance and Testing; Street Lighting; Parking Lots; Security Lighting

### Features

- UL Listed shorting cap
- Rated for 0-480VAC (50/60Hz)
- Provides a water tight seal over a twist-lock photocell receptacle (ANSI C136.10 and C136.41) to keep the electrical circuit closed or open for testing or maintenance of the luminaire
- Solid brass legs
- 15 amp maximum
- Suitable for LED luminaires up to 7200W, 7200W Tungsten / 7200VA Ballast
- UV stabilized polycarbonate cover
- 50-unit carton quantity
- 8-year warranty

### Dimensions



### Order Guide

MODEL NUMBER	COVER COLOR	DESCRIPTION
EYESHORT	Black	Shorting caps keep luminaire or other load ON at all times. Used when a group control is before lighting circuit. Low profile cover, 0-480VAC. Stock.
EYEOOPEN	Red	Open caps keep luminaire or other load OFF at all times. Used when luminaires are installed but not energized or to turn OFF an unwanted luminaire. Low profile cover, 0-480VAC. Consult factory for lead time.

### EYE Lighting International of North America, Inc.

a division of Iwasaki Electric of Japan

9150 Hendricks Road  
Mentor, Ohio 44060

Tel: (888) 665-2678  
Fax: (440) 350-7001