



Applications Include

LED, HID, Induction, Fluorescent or Halogen Systems; Roadways; High Surge Areas; Street Lighting; Parking Lots; Security Lighting

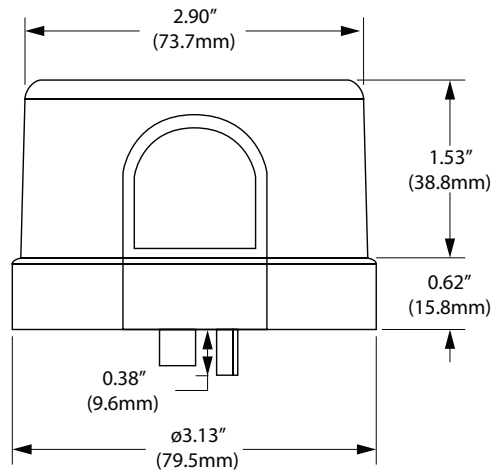
Features

- Meets or exceeds ANSI C136.10
- Rated 105-305VAC for 120, 208, 240 and 277VAC systems
- Will operate down to 85VAC
- Control rated -40° to +70°C. Base rated for 105°C interface temperature per ANSI C136.10
- FR4 fiberglass printed circuit board with conformal coating on both sides. Stronger and less water absorbing compared to commonly used CEM-1 paper based boards
- Silicon light sensor with excellent sensitivity to sunlight
- 2-5 second Turn OFF delay
- ANSI Standard 1.5±0.3 fc Turn ON, Turn OFF is 1.5 times the Turn ON level. Other options available
- Surge Protection: Dual 420 joule MOVs standard. Quad 420 joule MOVs optional with same cover height
- 0.105 inch (2.67 mm) cover thickness
- Solid brass legs
- Load rating: 1800VA HID ballast or 1000W (10A) electronic LED driver
- Fail ON and Fail OFF designs
 - » Use Fail OFF controls in situations where fixture life may be compromised by being ON during the day in unlikely event of a photocontrol failure
 - » Use more common fail ON controls in situations where a fixture being OFF at night is not acceptable

- Thicker cover and heavy duty relay to ensure long life operation
- Sealed heavy-duty relay rated for over 200 amps inrush load current. Meets the most stringent ANSI C136.10 High Inrush requirements
- Black cover standard; blue, green and yellow available
- 50-piece carton quantity
- 12-year warranty; 20-year design life

Project:
Type:
Catalog #:
Prepared by:
Date:
Notes:

Dimensions



Order Guide

SAMPLE NUMBER: EYE124DSSBK

MODEL	VOLTAGE	DESIGNED FOR SOLID STATE LOADS	SURGE PROTECTION	COVER COLOR	FAILURE MODE	TURN ON
EYE		DSS				
EYE	124 = 120-277V 480 = 325-510V*	DSS = Solid State	(blank) = 2 x 420 Joule 40 = 4 x 420 Joule	BK = Black BU = Blue GN = Green Y = Yellow (480V only)*	(blank) = Fail On F = Fail Off	(blank) = 1.5 fc 2 = 2.0 fc

*480V must use yellow cover. Yellow cover only available for 480V.

Sample Specification

for LONG LIFE Silicon Multivolt RoHS Compliant Photocontrols

- 1. Photocontrol:** Shall be a Locking Type (aka twist lock) and meet or exceed all requirements of ANSI C136.10 except as noted below.
- 2. UL:** For standard photocontrols, UL versions will be available with a blue cover. Non-UL versions are available in black, green, yellow or as specified by customer
- 3. Line voltage:** 105-305 VAC @ 50/60 hz.
- 4. Load rating:** Shall be at least 1800VA. Control must be able to operate incandescent, ballast, LED, and lighting contactor loads. Control shall be rated for over 200 amps inrush load current for electronic loads on LONG LIFE controls.
- 5. Control relay:** Shall be sealed.
- 6. Turn ON:** Shall be 1.5 ± 0.3 fc. Turn OFF shall be 1.5 times the turn ON level. Other turn ON levels may be specified by user.
- 7. Photosensor:** Sealed silicon sensor. Cadmium sulphide cells are not acceptable.
- 8. Failure mode:** Control will fail ON per ANSI definition. Relay must use normally closed contacts.
- 9. Time delay:** Control must have instant ON and 2-5 seconds "OFF" delay.
- 10. Surge protection:** Shall be in the form of two Metal Oxide Varistors (MOVs) wired line to neutral. Each MOV shall be rated a minimum of 420 joules and 9500 amp surge. Quad 420 joule MOV version must use same cover size as dual 420 joule MOV version. Finished control shall not fail when subjected to 5 surges of 9500 amps applied at 1 minute intervals. Surge wave form as described in ANSI C136.10-1996 section on High Surge.
- 11. Housing:** Shall be black, opaque and of an impact and UV resistant material. Green or blue covers may be used if required by user. Yellow covers are only for and must be used in 480V applications. Impact resistance of housing shall be greater than 1.0 ft-lbs at 40°C. Side and top of cover 0.105 inch (2.7 mm) thick.
- 12. Drop test:** Control must be capable of withstanding a drop of 3 feet (1 m) to a concrete floor without causing damage to the housing or changing electrical operation.
- 13. Markings:** The following must appear on the control: month/year of manufacture, individual serial numbers, catalog number, operating voltage range and load rating.
- 14. Power consumption:** Shall consume 0.5 watts or less at 120VAC.
- 15. Environmental:** Shall be RoHS compliant. It shall not contain lead, cadmium, mercury or hexavalent chromium. Pigments in plastic parts shall not contain bromine compounds or heavy metal pigments.
- 16. Warranty:** 12 years (one for one control replacement, labor not included).
- 17. Quality:** Control manufacturer must be ISO certified.

EYE Lighting International of North America, Inc.

a division of Iwasaki Electric of Japan

9150 Hendricks Road
Mentor, Ohio 44060

Tel: (888) 665-2678
Fax: (440) 350-7001