



**Applications Include**

LED, HID, Induction, Fluorescent or Halogen Systems; Roadways; High Surge Areas; Street Lighting; Parking Lots; Security Lighting

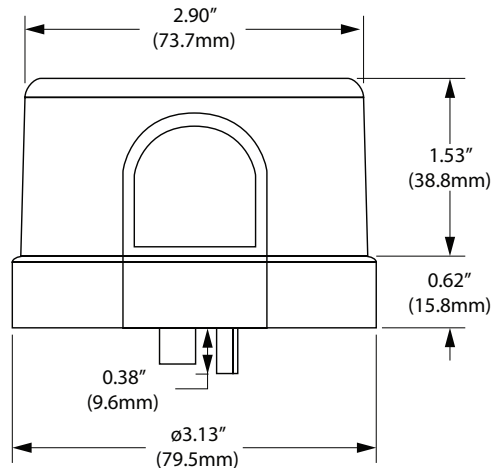
**Features**

- Meets or exceeds ANSI C136.10
- Rated 105-305VAC for 120, 208, 240 and 277VAC systems
- Will operate down to 90VAC
- Control rated -40° to +70°C. Base rated for 105°C interface temperature per C136.10
- FR4 fiberglass printed circuit board
- Silicon light sensor
- 2-5 second Turn OFF delay
- ANSI Standard 1.5±0.3 fc Turn ON, Turn OFF is 1.5 times the Turn ON level
- Surge protection: Larger 25mm 420 Joule MOV standard. Dual 25mm 420 joule option available. All controls are rated for multiple surges at one minute intervals
- 0.070 inch (1.78 mm) cover thickness
- Solid brass legs
- Load rating: 1800VA HID ballast or 1000W (10A) electronic LED driver
- Fail ON and Fail OFF designs
  - » Use Fail OFF controls in situations where fixture life may be compromised by being ON during the day in unlikely event of a photocontrol failure
  - » Use more common fail ON controls in situations where a fixture being OFF at night is not acceptable

- An upgrade to standard controls for bigger MOV surge protection
- Sealed relay
- Black cover standard
- 50-piece carton quantity
- 8-year warranty

Project:
Type:
Catalog #:
Prepared by:
Date:
Notes:

**Dimensions**



**Order Guide**

MODEL NUMBER	COVER COLOR	DESCRIPTION
EYE124BG	Black	120-277VAC, 25 mm MOV rated 420 joules for multiple surges. Black cover. Fail ON. Stock.
EYE124BGF	Black	120-277VAC, 25 mm MOV rated 420 joules for multiple surges. Black cover. Fail OFF. Consult factory for lead time.
EYE124BGJF	Black	120-277VAC, two 25 mm MOVs each rated 420 joules for multiple surges. Black cover. Fail OFF. Stock.
EYE124BGJ	Black	120-277VAC, two 25 mm MOVs each rated 420 joules for multiple surges. Black cover. Fail ON. Consult factory for lead time.

## Sample Specification

for Silicon Multivolt RoHS Compliant Photocontrols – BG Series

1. **Photocontrol:** Shall be a Locking Type (aka twist lock) and meet or exceed all requirements of ANSI C136.10 except as noted below.
2. **UL:** For standard photocontrols, UL versions will be available with a blue cover. Non-UL versions are available in black or as specified by customer.
3. **Line voltage:** 105-305VAC @ 50/60 hertz.
4. **Load rating:** Shall be at least 1800VA. Control must be able to operate incandescent, ballast, LED and lighting contractor type loads.
5. **Control relay:** Shall be sealed.
6. **Turn ON:** Shall be  $1.5 \pm 0.3$  fc. Turn OFF shall be 1.5 times the turn ON level.
7. **Photosensor:** Sealed silicon sensor. Cadmium sulphide cells are not acceptable.
8. **Failure mode:** Control will fail ON per ANSI definition. Relay must use normally closed contacts.
9. **Time delay:** Control must have instant ON and 2-5 seconds "OFF" delay.
10. **Surge protection:** Shall be in the form of a Metal Oxide Varistor (MOV) wired line to neutral. MOV shall be rated a minimum of 420 joules and 9500 amp surge. Finished control shall not fail when subjected to 5 surges of 9500 amps applied at 1 minute intervals. Surge wave form as described in ANSI C136.10-1996 section on High Surge.
11. **Housing:** Shall be black, opaque and of an impact and UV resistant material. Brown or blue covers may be used if required by user. Impact resistance of housing shall be greater than 1.0 ft-lbs at -20°C. Top of cover 0.070 inch (1.78 mm) thick.
12. **Drop test:** Control must be capable of withstanding a drop of 3 feet (1 m) to a concrete floor without causing damage to the housing or changing electrical operation.
13. **Markings:** The following must appear on the control: month/year of manufacture, individual serial numbers, model description, operating voltage range and load rating.
14. **Power consumption:** Shall consume 0.5 watts or less at 120VAC.
15. **Environmental:** Shall be RoHS compliant. It shall not contain lead, cadmium, mercury or hexavalent chromium. Pigments in plastic parts shall not contain bromine compounds or heavy metal pigments.
16. **Warranty:** 8 years (one for one control replacement, labor not included).
17. **Quality:** Control manufacturer must be ISO or similar certified.

### EYE Lighting International of North America, Inc.

*a division of Iwasaki Electric of Japan*

9150 Hendricks Road  
Mentor, Ohio 44060

Tel: (888) 665-2678  
Fax: (440) 350-7001