



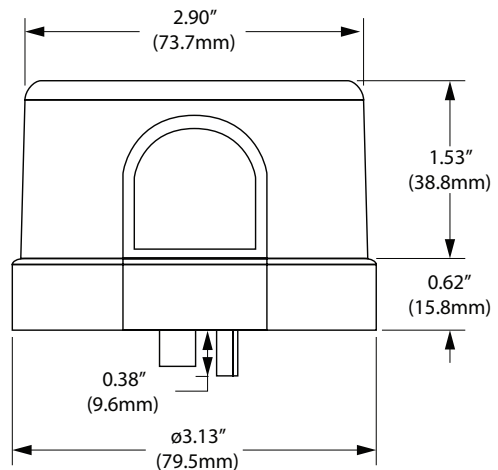
Applications Include

LED, HID, Induction, Fluorescent or Halogen Systems;
Roadways; Street Lighting; Parking Lots; Security Lighting

Features

- Meets or exceeds ANSI C136.10
- Rated 105-305VAC for 120, 208, 240 and 277VAC systems
- Will operate down to 90VAC
- Control rated -40° to +70°C. Base rated for 105°C interface temperature per C136.10
- FR4 fiberglass printed circuit board
- Silicon light sensor
- 2-5 second Turn OFF delay
- ANSI Standard 1.5±0.3 fc Turn ON, Turn OFF is 1.5 times the Turn ON level
- Surge Protection: 320 joule MOV standard
- 0.070 inch (1.78 mm) cover thickness
- Solid brass legs
- Load rating: 1800VA HID ballast or 1000W (10A) electronic LED driver
- Sealed relay
- Brown cover standard
- 50-piece carton quantity
- 8-year warranty

Dimensions



Project:
Type:
Catalog #:
Prepared by:
Date:
Notes:

Order Guide

ORDER NUMBER: EYE1241704

MODEL NUMBER	COVER COLOR	DESCRIPTION
EYE1241704	Brown	120-277VAC. MOV rated 320 joules for multiple surges. Non-UL. Brown cover. Equal to other "1704" products on the market. Fail ON. Stock.

Sample Specification

for Silicon Multivolt RoHS Compliant Photocontrols – EYE1241704

1. **Photocontrol:** Shall be a Locking Type (aka twist lock) and meet or exceed all requirements of ANSI C136.10 except as noted below.
2. **UL:** For standard photocontrols, UL versions will be available with a blue cover. Non-UL versions are available in brown or as specified by customer.
3. **Line voltage:** 105-305VAC @ 50/60 hertz.
4. **Load rating:** Shall be at least 1800VA. Control must be able to operate incandescent, ballast, LED and lighting contractor type loads.
5. **Control relay:** Shall be sealed.
6. **Turn ON:** Shall be 1.5 ± 0.3 fc. Turn OFF shall be 1.5 times the turn ON level.
7. **Photosensor:** Sealed silicon sensor. Cadmium sulphide cells are not acceptable.
8. **Failure mode:** Control will fail ON per ANSI definition. Relay must use normally closed contacts.
9. **Time delay:** Control must have instant ON and 2-5 seconds "OFF" delay.
10. **Surge protection:** Shall be in the form of a Metal Oxide Varistor (MOV) wired line to neutral. MOV shall be rated a minimum of 320 joules and 9500 amp surge. Finished control shall not fail when subjected to 5 surges of 9500 amps applied at 1 minute intervals. Surge wave form as described in ANSI C136.10-1996 section on High Surge.
11. **Housing:** Shall be brown, opaque and of an impact and UV resistant material. Impact resistance of housing shall be greater than 1.0 ft-lbs at -20°C. Top of cover 0.070 inch (1.78 mm) thick.
12. **Drop test:** Control must be capable of withstanding a drop of 3 feet (1 m) to a concrete floor without causing damage to the housing or changing electrical operation.
13. **Markings:** The following must appear on the control: month/year of manufacture, individual serial numbers, model description, operating voltage range and load rating.
14. **Power consumption:** Shall consume 0.5 watts or less at 120VAC.
15. **Environmental:** Shall be RoHS compliant. It shall not contain lead, cadmium, mercury or hexavalent chromium. Pigments in plastic parts shall not contain bromine compounds or heavy metal pigments.
16. **Warranty:** 8 years (one for one control replacement, labor not included).
17. **Quality:** Control manufacturer must be ISO or similar certified.

EYE Lighting International of North America, Inc.

a division of Iwasaki Electric of Japan

9150 Hendricks Road
Mentor, Ohio 44060

Tel: (888) 665-2678
Fax: (440) 350-7001