

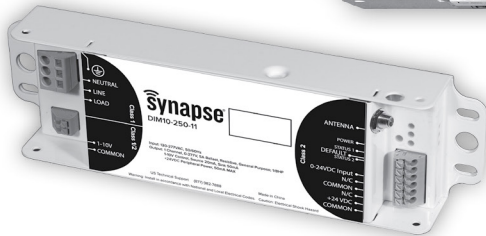
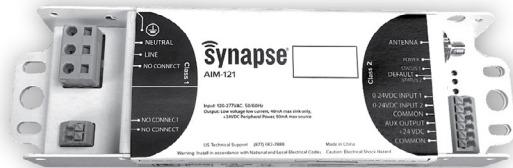


EYE-DIM10 Series Auxiliary Lighting Controller



EYE-DIM10-100-00

EYE-AIM-121



EYE-DIM10-250-11

(external antenna required - sold separately)

| |
|--------------|
| Project: |
| Type: |
| Catalog #: |
| Prepared by: |
| Date: |
| Notes: |

Description

The EYE-DIM10-100-10 and EYE-DIM10-250-11 are controllers compliant with California Title 24 requirements, providing a wide range of robust control features, including scheduling, dimming and on/off switching. The EYE-DIM10-100-10 is designed for indoor luminaires, while EYEDIM10-250-11 is for outdoor applications with real-time light monitoring and control, power monitoring, including a 24V sensor input and power supply to connect sensors for a comprehensive wireless lighting solution. The EYE-AIM-121 is an accessory interface module allowing additional sensors/switches to be integrated in the network. Auxiliary lighting controls are installed in a box or pole in proximity to the fixture.

Key Features

- Power monitoring
- Up to 80% savings through smart dimming
- True On/Off functionality via switched relay
- Self-healing SNAP mesh networking
- Seamlessly integrates into the browser software interface lighting control solution
- Relay closes on power loss
- Supports a wide range of LED drivers and fixtures
- Class 1 / Class 2, 0-10V dimming control
- Direct Connect to 24V occupancy sensors and photocells (EYE DIM10-250-11)
- Secure, over-the-air upgrades to support future enhancements
- Excellent RF Range — 1 mile (line of sight) between controllers
- Metal cased with quick connect terminal blocks
- Lights default to on for safety

Compliance Certification, Listings and Ratings

Radio : 2.4GHz; IEEE 802.15.4 +20dBm Transmit power -103 dBm receive sensitivity; FCC, IC, UL

Electrical

| Feature | Description |
|---|---|
| Input Power | 100 to 277 +/- 10% (Max 305V), 50/60Hz |
| Operating Environment | -40°C to +70°C; 20% to 90% RH non-condensing; IP66 |
| Switched Output | Default ON |
| Load Rating | 5A @ 100V to 277V (+/- 10%) |
| Dimming Control | 0-10 V with short circuit protection |
| Dimming Output | Maximum Current 10 mA |
| Power Monitoring | 2% Accuracy |
| Power Readings | Voltage, Watts |
| Sensor Inputs (EYE-DIM10-250-11 & EYE-AIM-121) | One digital input that can be used for motion-based lighting controls |
| Sensor Power Supply | 24VDC @ 50mA |

Warranty

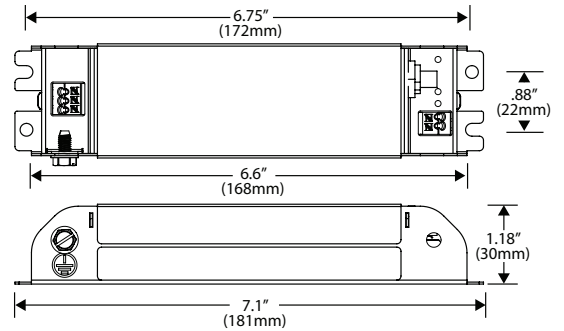
5 Year Limited Warranty to the original purchaser that the controller shall be free from defects in material and workmanship for up to five (5) years from date of shipment. This limited warranty covers the wireless controller when installed and operated according to manufacturer's instructions.

Order Guide

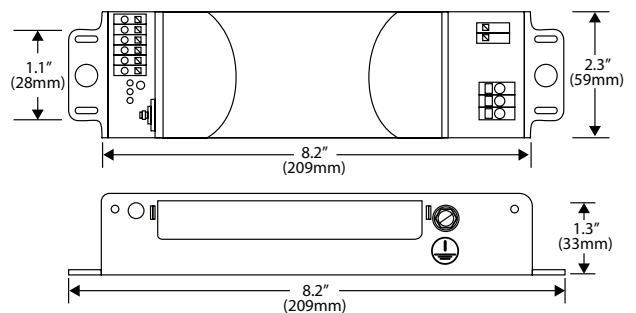
| Product Number | Description |
|---------------------------------|---|
| EYE-DIM10-100-00 | 120-277V Indoor Controller, 3A Relay, Metal Cased w/terminal blocks |
| EYE-DIM10-250-11 | 120-277V Outdoor Controller, PM, 5A Relay, Metal Cased w/terminal blocks, Sensor Input |
| EYE-AIM-121 | Accessory Interface Module with sensor power supply, 2 sensor inputs and auxiliary output |
| EYE-ANT-IAB-3.2-1 | Indoor Antenna, 2.4GHz, Articulating, Black, 3.2dBi |
| EYE-ANT-IAB-2.0-1 | Indoor Antenna, 2.4GHz, Articulating, Black, 2.0dBi |
| EYE-ANT-IAB-4.9-1 | Indoor Antenna, 2.4GHz, Articulating, Black, 4.9dBi |
| EYE-ANT-OSB-1.5-1 | Outdoor Antenna, 2.4GHz, Straight, Black, IP65, 1.5dBi |
| EYE-ANT-ORB-1.5-1 | Outdoor Antenna, 2.4GHz, Fixed Right Angle, Black, IP65, 1.5dBi |
| EYE-GLP-KIT-ANT18-01 | Outdoor RH Antenna Kit, 18" Male to Male Coax Cable + Outdoor Right Angle Antenna + Female to Female 14mm Bulkhead with Nut + O-ring |
| EYE-GLP-KIT-ANTUFL18-01 | Right Angle Antenna Kit: 18" u.FL to 14mm Female Bulkhead + Outdoor Fixed Right Angle Antenna (ANT-2.4-ORB-RPM-1.5-01) + O-ring |
| EYE-GLP-KIT-ANT18-02 | Outdoor ST Antenna Kit, 18" Male to Male Coax Cable + Outdoor Straight Antenna + Female to Female 14mm Bulkhead with Nut + O-ring |
| EYE-GLP-KIT-ANTUFL18-02 | Straight Angle Antenna Kit: 18" u.FL to 14mm Female Bulkhead + Outdoor Straight Antenna (ANT-2.4-OSB-RPM-1.5-01) + O-ring |
| EYE-GLP-KIT-ANT18-13-2.0 | Indoor Articulating Antenna Kit, 18" Male to Male Coax Cable + Indoor Articulating Antenna 2.0dBi Gain + Female to Female 14mm Bulkhead with Nut + O-ring |
| EYE-GLP-KIT-ANT18-13-3.2 | Indoor Articulating Antenna Kit, 18" Male to Male Coax Cable + Indoor Articulating Antenna 3.2dBi Gain + Female to Female 14mm Bulkhead with Nut + O-ring |
| EYE-ANT-OSS-5-1 | Outdoor Antenna, Fixed Straight, Stubby |
| EYE-ANT-ORS-5-1 | Outdoor Antenna, Fixed Right Angle, Stubby |
| EYE-GLP-KIT-HP20-01 | Hanging Pole Kit 20' |
| EYE-GLP-KIT-HP30-02 | Hanging Pole Kit 30' |
| EYE-GLP-KIT-HP50-03 | Hanging Pole Kit 50' |

Dimensions

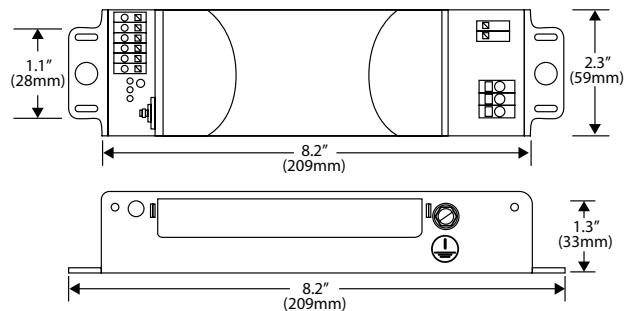
EYE-DIM10-100-10 Weight: 1 lb (2.2 kg)



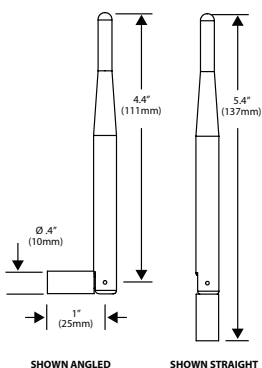
EYE-DIM10-250-11 Weight: 1 lb (2.2 kg)



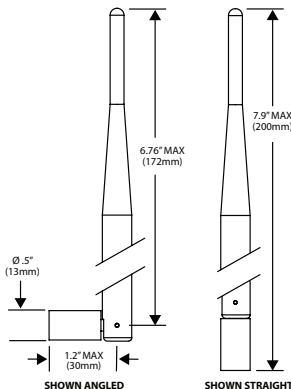
EYE-AIM-121-11 Weight: 1 lb (2.2 kg)



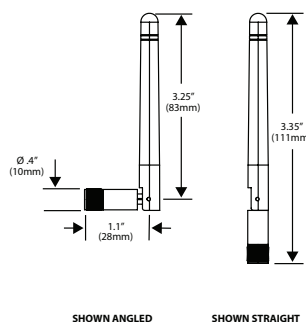
EYE-ANT-IAB-3.2-1



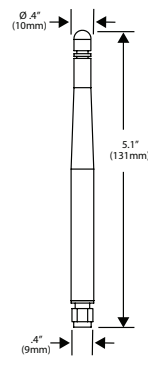
EYE-ANT-IAB-2.0-1



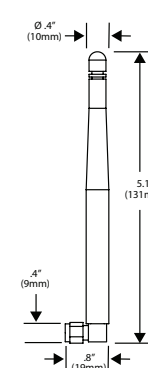
EYE-ANT-IAB-4.9-1



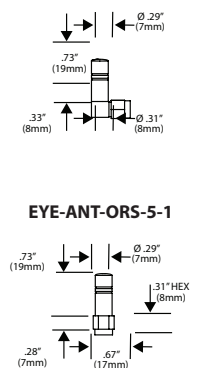
EYE-ANT-OSB-1.5-1



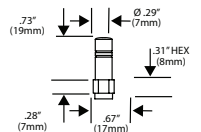
EYE-ANT-ORB-1.5-1



EYE-ANT-OSS-5-1



EYE-ANT-ORS-5-1



Hanging Pole Installation Kit

For easy connection to antenna

The hanging pole kit allows for easy connection of external antenna to DIM10 series controller. Choose kit based on height of the light pole.

EYE-GLP-KIT-HP20-01

Kit Contains:

- 20' Cable, Male RPSMA to - Male RPSMA
- 20' Aircraft Hanging Cable, 25lb, Eyelet

EYE-GLP-KIT-HP30-02

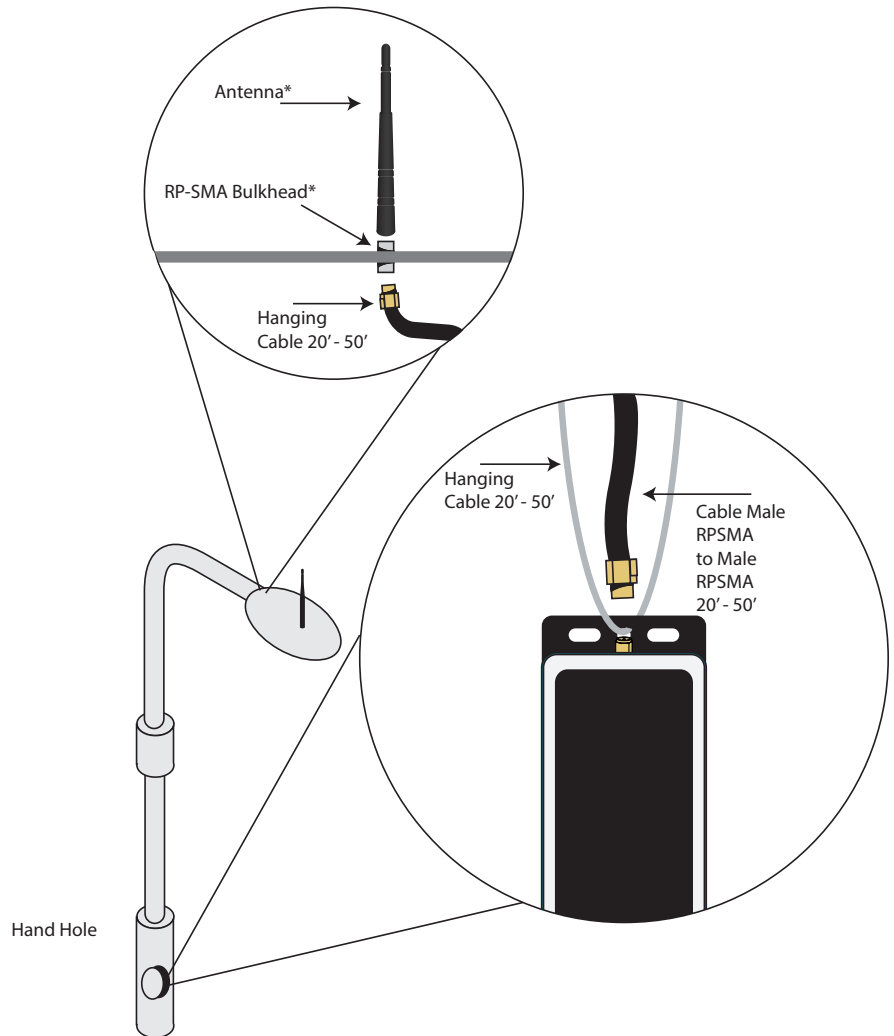
Kit Contains:

- 30' Cable, Male RPSMA to - Male RPSMA
- 30' Aircraft Hanging Cable, 25lb, Eyelet

EYE-GLP-KIT-HP50-03

Kit Contains:

- 50' Cable, Male RPSMA to - Male RPSMA
- 50' Aircraft Hanging Cable, 25lb, Eyelet



*Antenna and Bulkhead sold separately

EYE Lighting International of North America, Inc.

a division of Iwasaki Electric of Japan

9150 Hendricks Road
Mentor, Ohio 44060

Tel: (888) 665-2678
Fax: (440) 350-7001